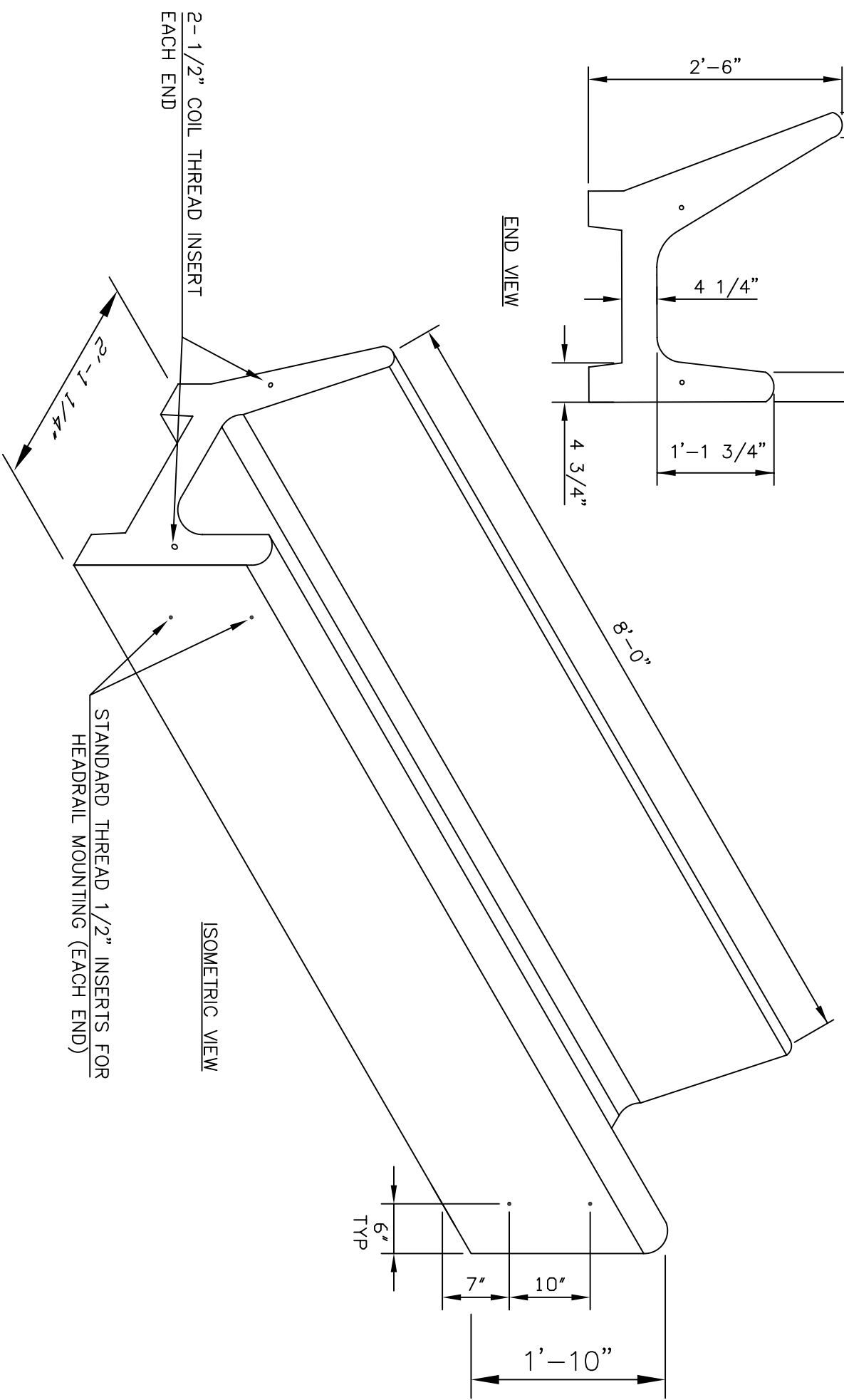


END VIEW



ISOMETRIC VIEW

STANDARD THREAD 1/2" INSERTS FOR  
HEADRAIL MOUNTING (EACH END)

2- 1/2" COIL THREAD INSERT  
EACH END



**CARR CONCRETE**  
CARR CONCRETE CORPORATION  
P.O. BOX 265, WAVERLY, WV 26184-0265

PHONE: 800-837-8918  
FAX: 304-464-4013

FENCELINE FEED BUNK	
ISOMETRIC VIEW	
FILE#	JR92012F
DRAWN BY	JOR
DATE	2/20/92

DWG. NO.	REV	DATE
1	1	5/16/97
1	2	8/24/07
1	3	4
1	4	4
1	5	5
1	6	6