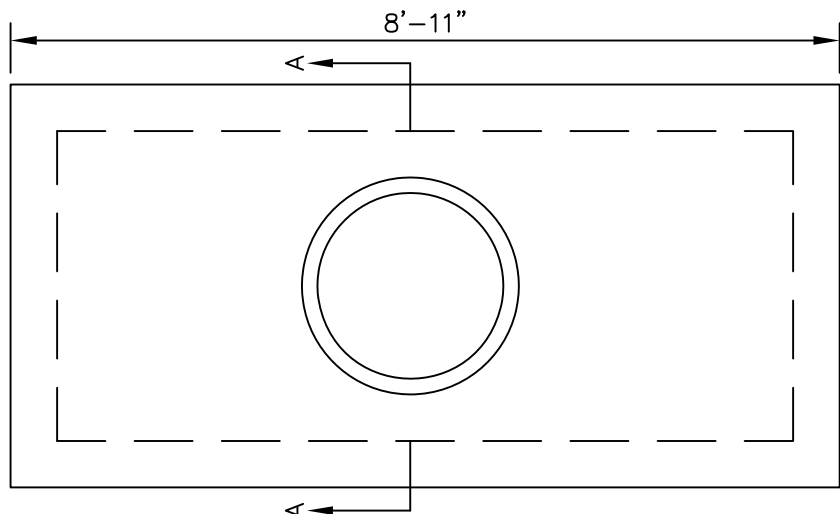
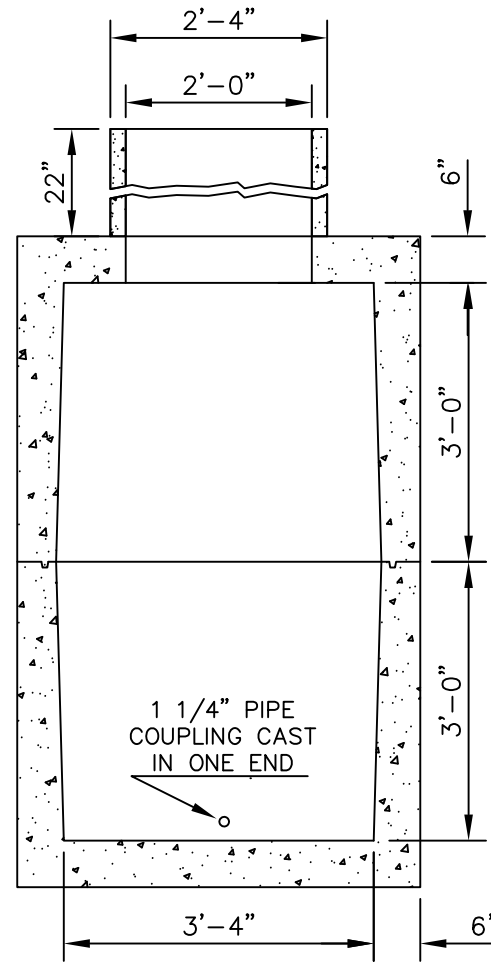


LONGITUDINAL SECTION

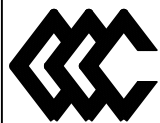


TOP VIEW



SECTION A-A

NOTE:
INSTALL MINIMUM 4" SAND UNDER TANK



PHONE: 800-837-8918
FAX: 304-464-4013
CARR CONCRETE
CARR CONCRETE CORPORATION
P.O. BOX 265, WAVERLY, WV 26184-0265

1200 GALLON HOLDING TANK

DWG.NO.	6	6
1	5	5
	4	4
	3	3
	2	2
OF	1	5/16/97
1	REV	DATE

FILE# JR93009F DRAWN BY JOR DATE 4/29/98