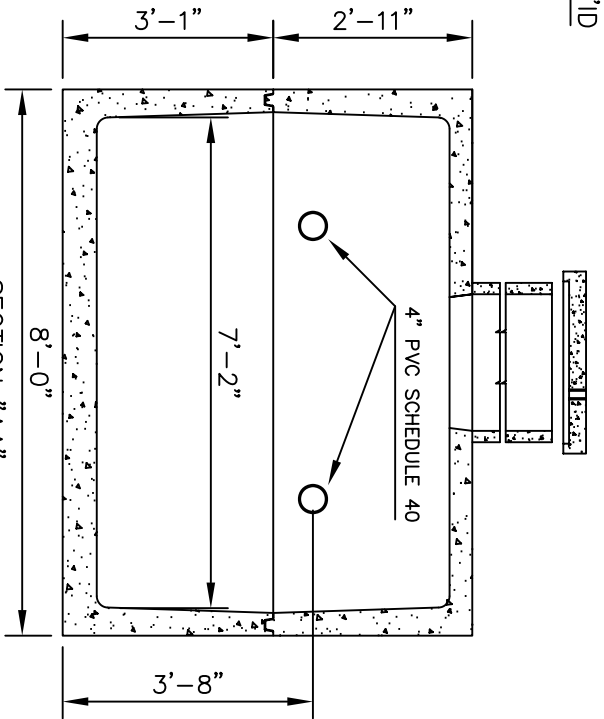
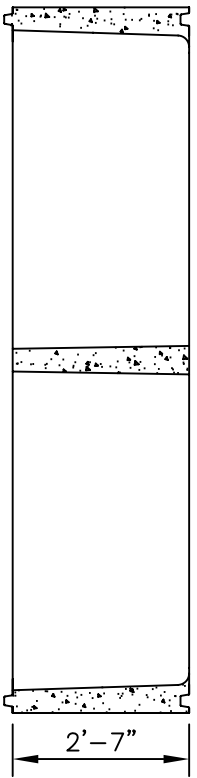


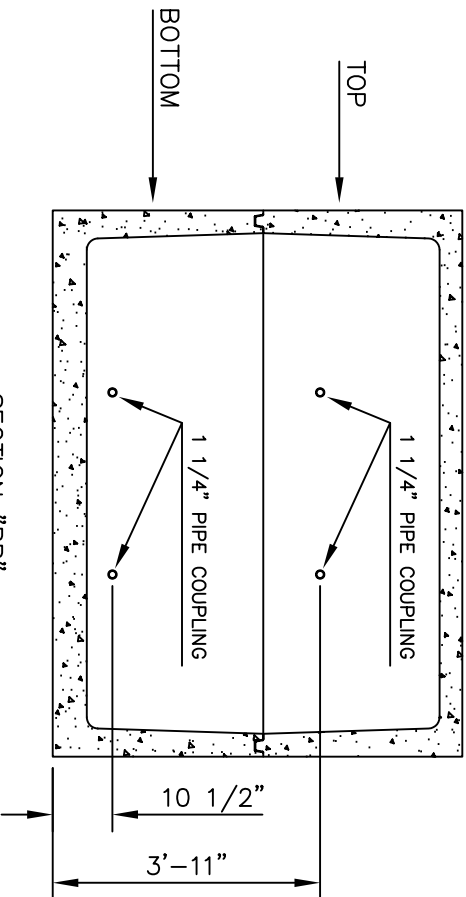
LID & RISER 24" ID



SECTION "AA"



RING SECTION



SECTION "BB"

ONE RING ADDS 1250 GAL TO THE CAPACITY  
CAN USE UP TO TWO RINGS PER TANK

WEIGHT:  
BOTTOM SECTION 11,500 LB.  
TOP SECTION 10,100 LB.  
RING SECTION 5000 LB.

NOTE:  
INSTALL MINIMUM 4" SAND FILL  
UNDER TANK



PHONE: 800-837-8918  
FAX: 304-464-4013  
**CARR CONCRETE**  
CARR CONCRETE CORPORATION  
P.O. BOX 265, WAVERLY, WV 26184-0265

2500 GAL. CISTERN

| FILE# | JR93012F | DRAWN BY | JOR | DATE | 2/11/93 | DWG. NO. | 1  | 6       | 6    |
|-------|----------|----------|-----|------|---------|----------|----|---------|------|
|       |          |          |     |      |         |          | 1  | 5       | 5    |
|       |          |          |     |      |         |          | OF | 4       | 4    |
|       |          |          |     |      |         |          | 2  | 3       | 3    |
|       |          |          |     |      |         |          | 1  | 2       | 2    |
|       |          |          |     |      |         |          | 1  | 5/29/97 | 2    |
|       |          |          |     |      |         |          | 1  |         | DATE |