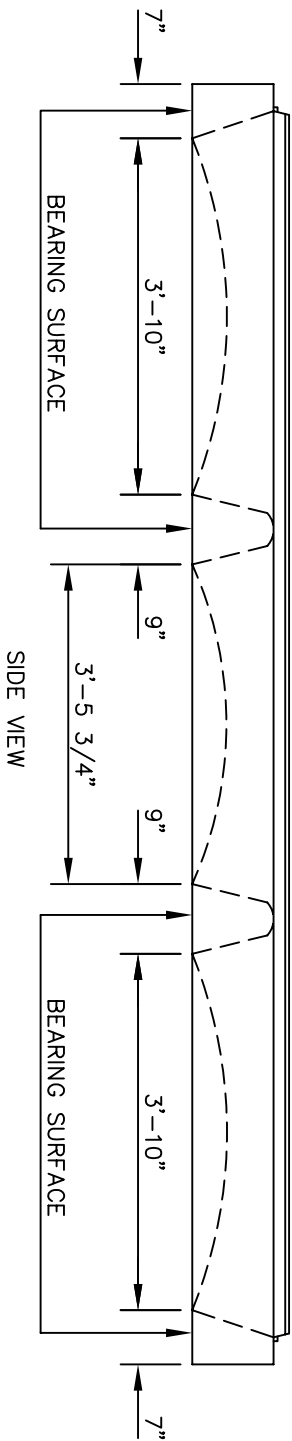
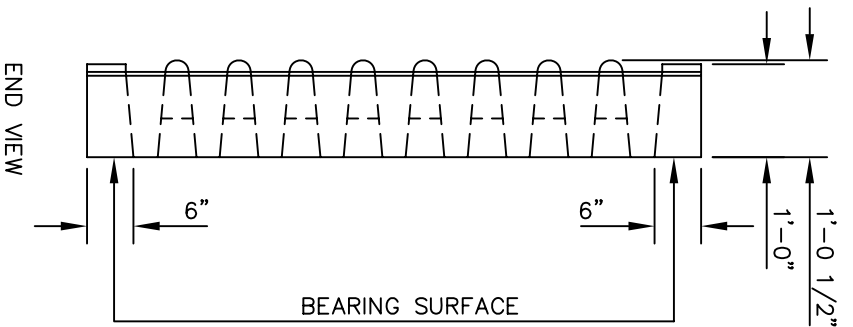



TOP VIEW



SIDE VIEW



END VIEW



CARR CONCRETE
 CARR CONCRETE CORPORATION
 P.O. BOX 265, WAVERLY, WV 26184-0265

PHONE: 800-837-8918
 FAX: 304-464-4013

CATTLEGUARD		DWG. NO.	6
FILE#	JR97029	1	5
DRAWN BY	JOR	0*	4
JOR		1	3
DATE	5/7/97	2	2
		1	1
			5/29/97
			DATE