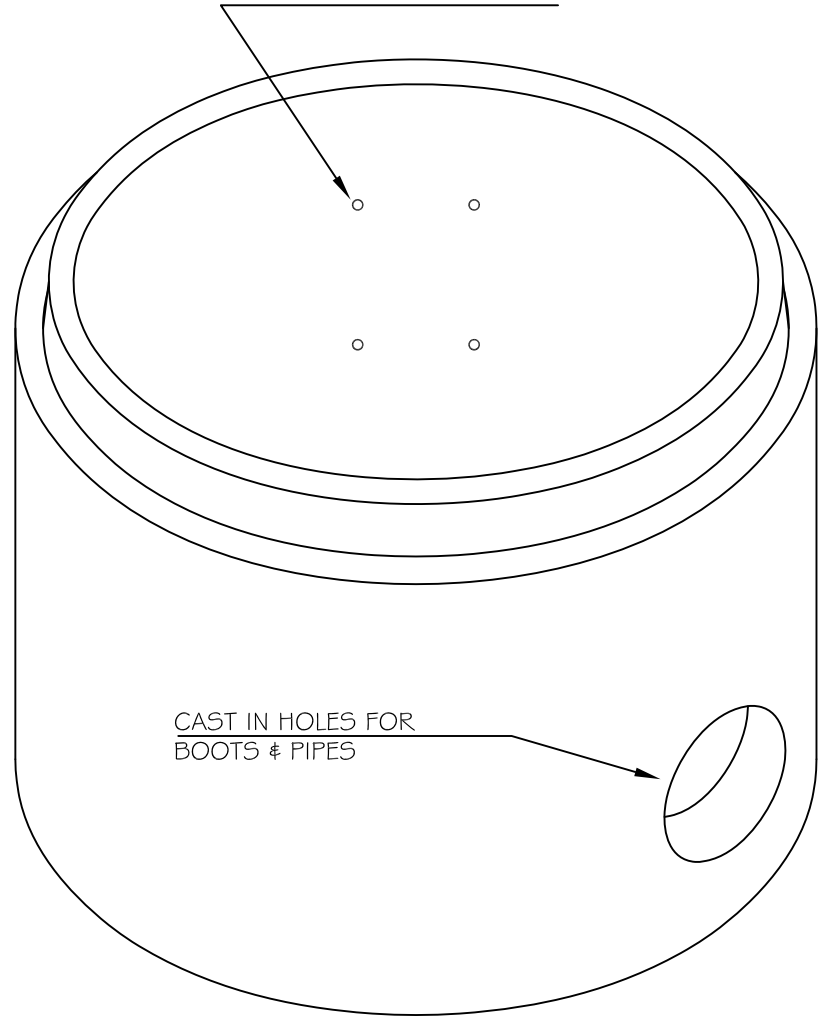


SECTION VIEW - STANDARD BASE


HOLES CAST IN PLACE FOR MANHOLE STEPS, ON 12" CENTERS



CAST IN HOLES FOR BOOTS & PIPES

ISOMETRIC VIEW

NOTE:
MANHOLE BASES ARE MANUFACTURED
TO ASTM C-478-90B SPECIFICATIONS

 <p>PHONE: 800-837-8918 FAX: 304-464-4013 CARR CONCRETE CARR CONCRETE CORPORATION P.O. BOX 265, WAVERLY, WV 26184-0265</p>	MANHOLE STANDARD BASE 48" DIA.			DWG. NO.		
				1		
				OF		
				1		
FILE#	DRAWN BY	KJK	DATE	4/13/2012	REV	DATE