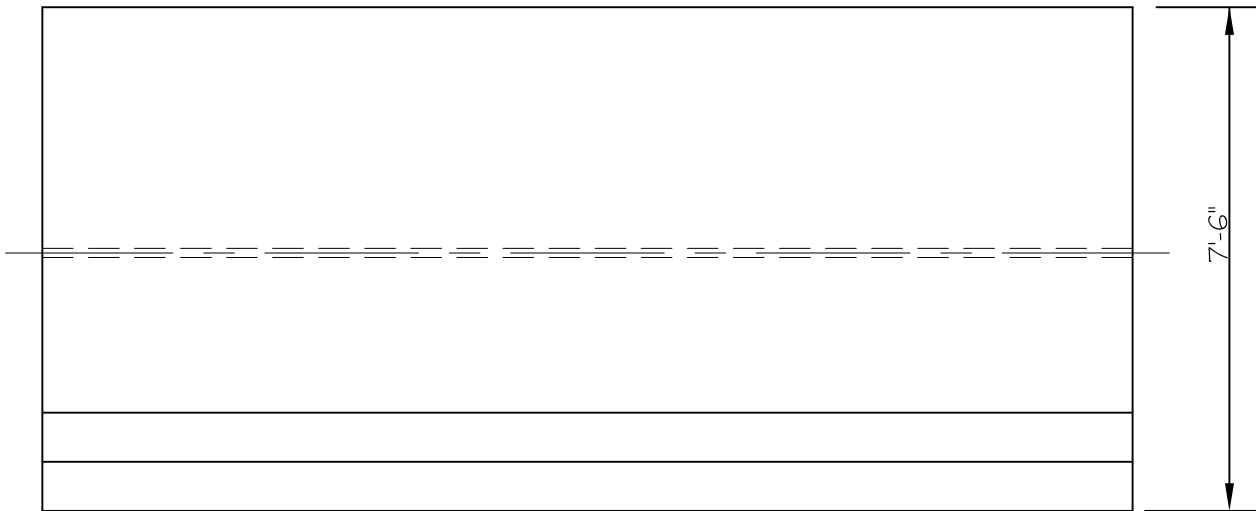
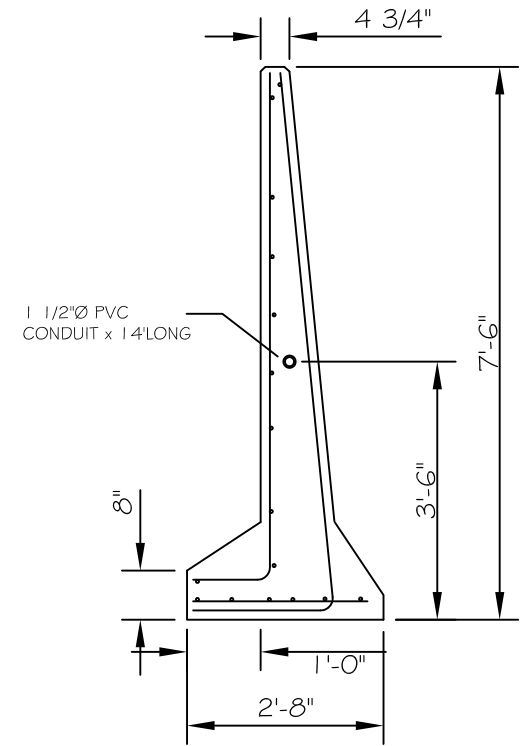



TOP VIEW



FRONT VIEW



SECTION A-A

PUSHWALL			
			DWG.NO.
			OF
		CARR CONCRETE Precast Concrete Products TELEPHONE (304) 464-4441 P.O. BOX 265 WAVERLY, WV 26184-0265	
DRAWN	KJK	FILE	DATE
			4/13/2012