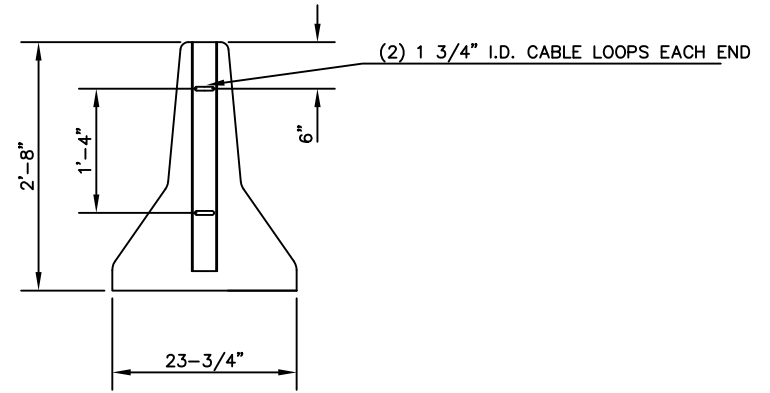
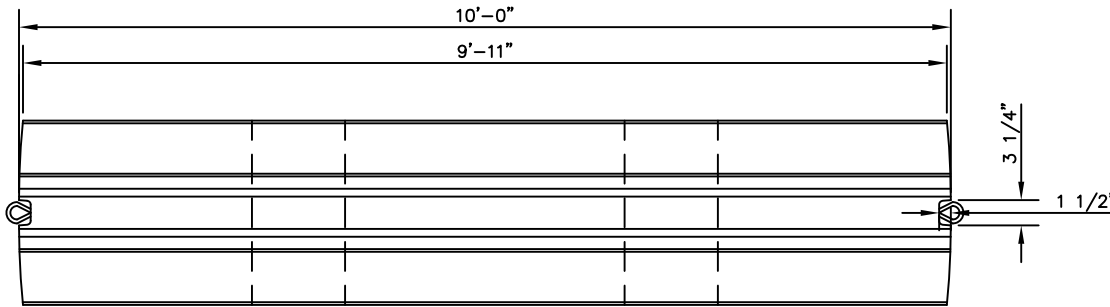


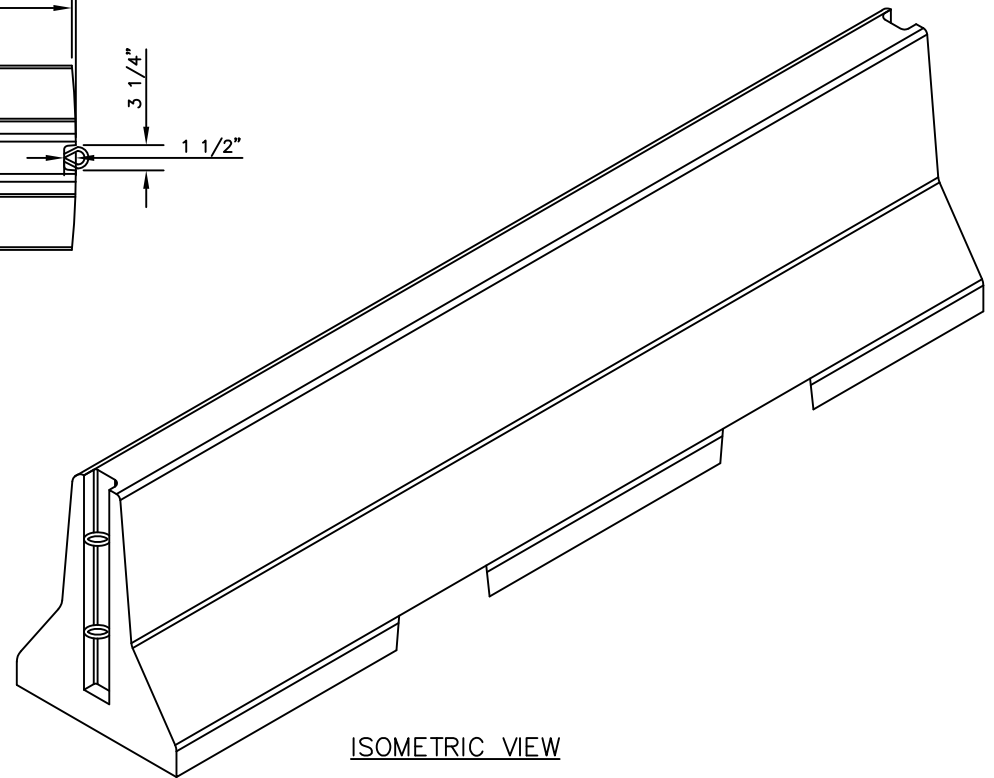
SIDE VIEW



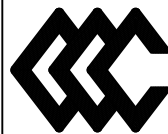
END VIEW



TOP VIEW



ISOMETRIC VIEW



PHONE: 800-837-8918
 FAX: 304-464-4013
CARR CONCRETE
 CARR CONCRETE CORPORATION
 P.O. BOX 265, WAVERLY, WV 26184-0265

MEDIAN BARRIER

DWG. NO.		
	1	
	3	1/27/12
OF	2	12/20/03
	1	6/13/97
REV	DATE	

FILE# JR94009 DRAWN BY JOR DATE 3/14/94