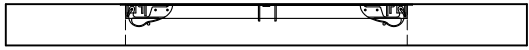
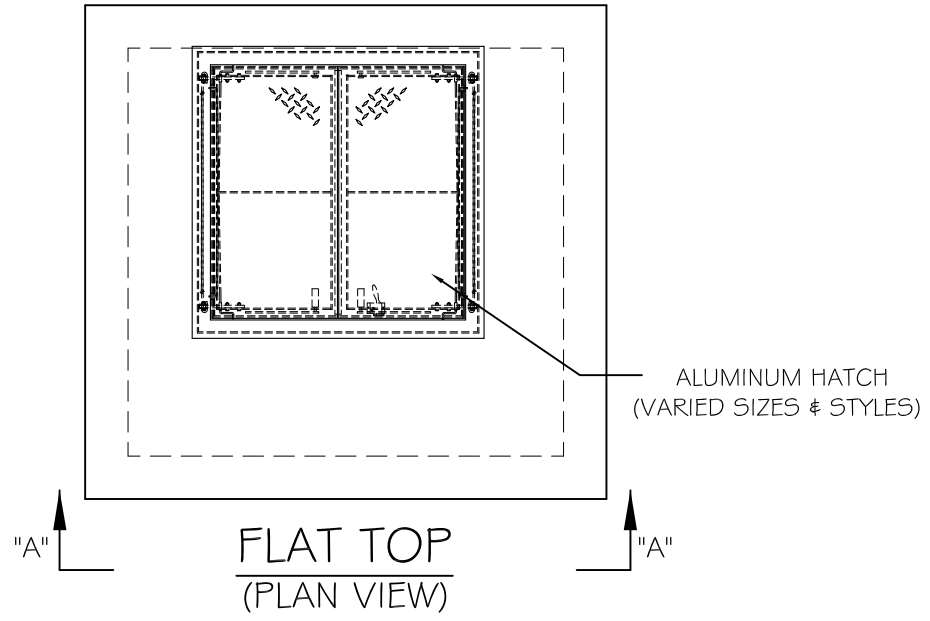


NOTE:

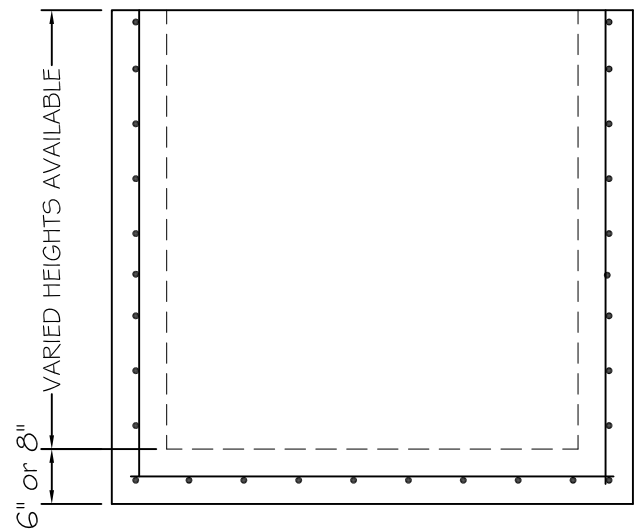
- MANHOLE STEPS OR ALUMINUM LADDERS ARE ALSO AVAILABLE.
- HOLES FOR PIPES AND SEALS AVAILABLE DEPENDING ON PROJECT REQUIREMENTS



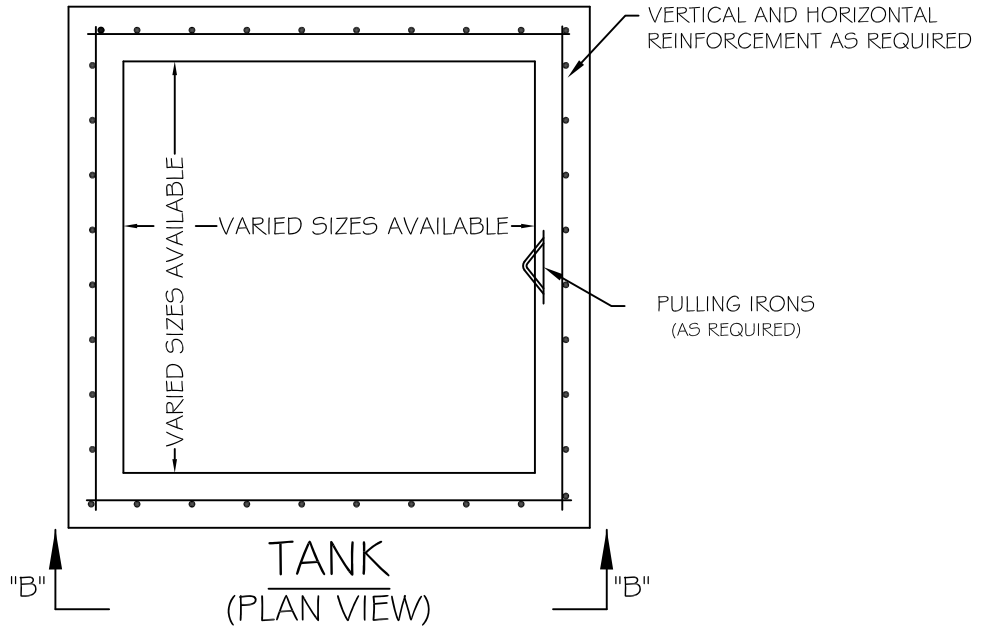
VIEW "A-A"  
(OPTIONAL FLAT TOP w/ HATCH)



FLAT TOP  
(PLAN VIEW)



ELEVATION "B-B"



TANK  
(PLAN VIEW)

CARR CONCRETE CORPORATION  
P.O. BOX 265  
WAVERLY, WV 26184-0265  
PHONE: (800)837-8918  
FAX: (304)464-4013



PRECAST CONCRETE VAULT

REV	DATE	DESCRIPTION

SUBMITTAL:  
SUBMITTAL DRAWING

JOB #:  
CHECKED BY:  
DATE: 4/3/2012  
DRAWN BY: KJK  
SCALE: NTS  
SHEET NO: 1 of 1