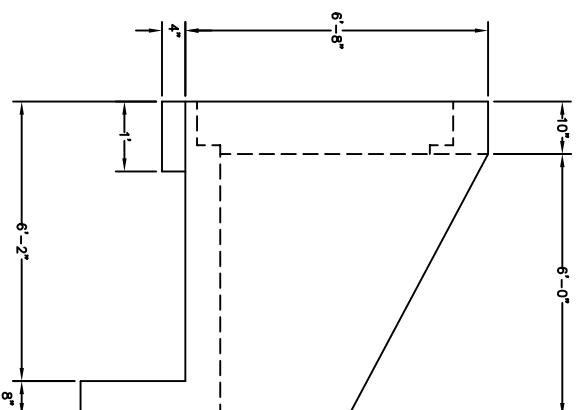
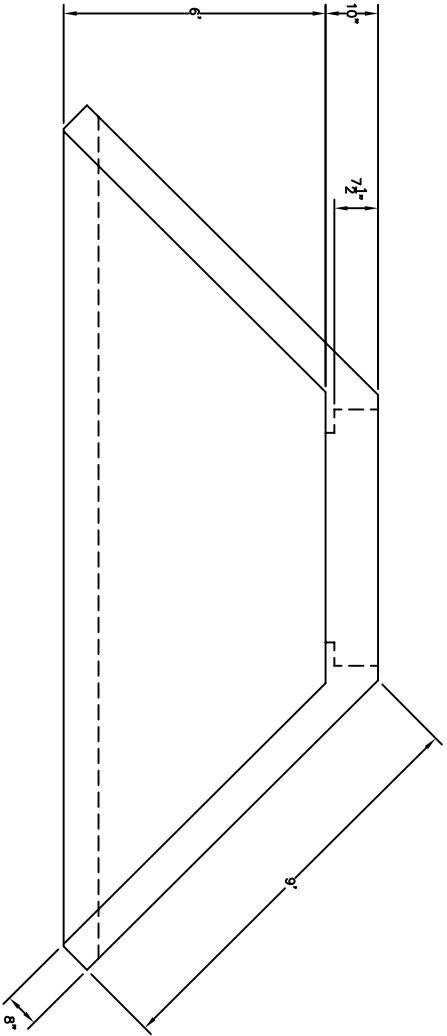


FRONT VIEW



END VIEW



TOP VIEW

NOT TO SCALE



PHONE: 800-837-8918  
 FAX: 304-464-4013  
**CARR CONCRETE**  
 CARR CONCRETE CORPORATION  
 P.O. BOX 265, WAVERLY, WV 26184-0265

WINGWALL 60" DIAMETER PIPE		DWG. NO.	6
PROJECT:		1	6
LOCATION:		0'	4
FILE#	JR95034	DRAWN BY	JOR
DATE	5/12/95	DATE	5/12/95
REV	1	DATE	6/13/97
REV	2	DATE	
REV	3	DATE	
REV	4	DATE	
REV	5	DATE	
REV	6	DATE	