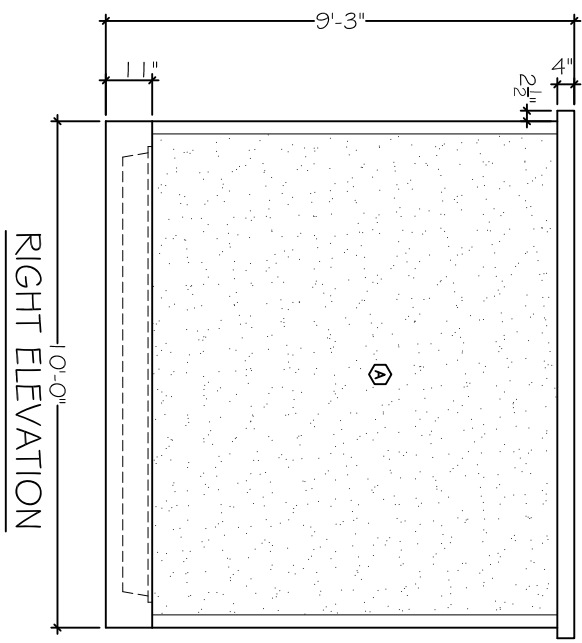
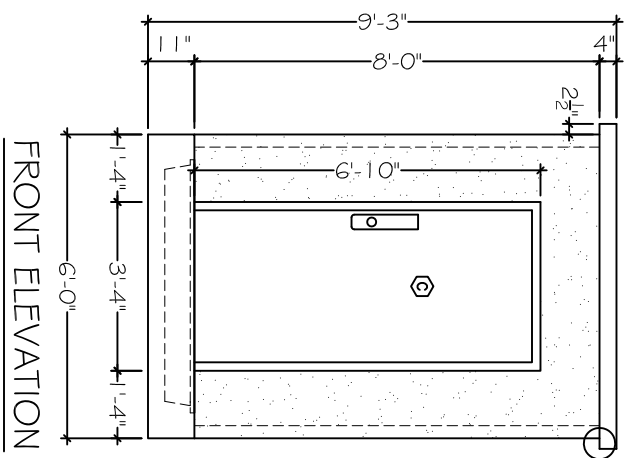


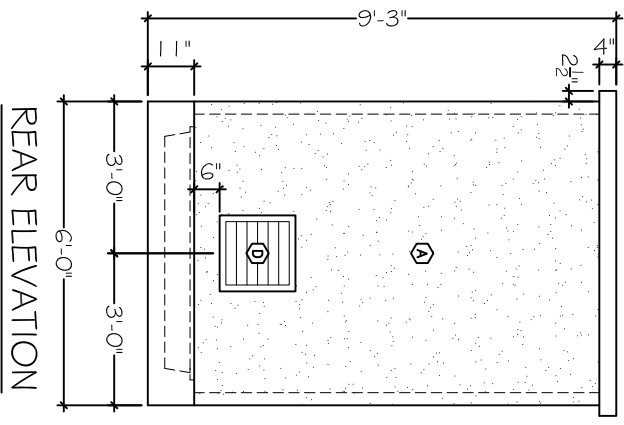
LEFT ELEVATION



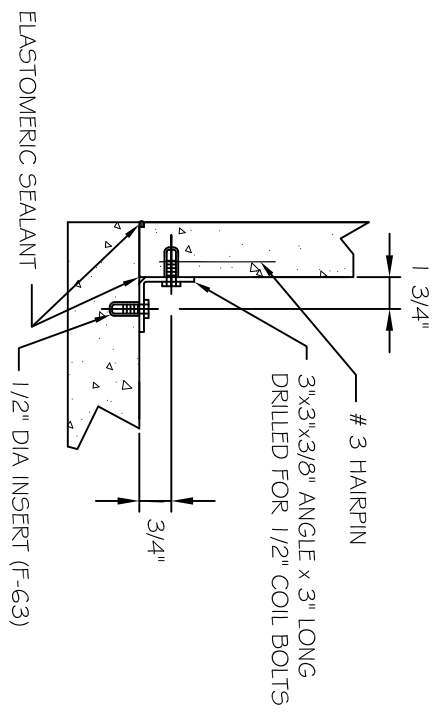
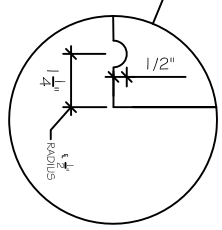
RIGHT ELEVATION



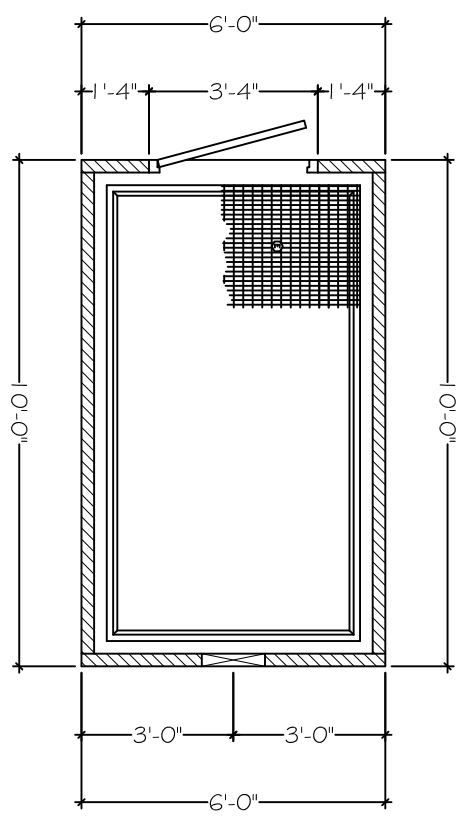
FRONT ELEVATION



REAR ELEVATION



TYPICAL PANEL CONNECTION



FLOOR PLAN

DOOR & FIXTURE SCHEDULE		
TYPE	SIZE	DESCRIPTION
A	--	EXTERIOR FINISH - LIGHT INDIANA LIMESTONE EXPOSED AGGREGATE FINISH
B	--	ROOF - SMOOTH TROWELED FINISH
C	4'-0" x 6'-8"	DOOR - 1 GGA GRADE II HEAVY DUTY GALVANIZED DOOR WITH POLYURETHANE FOAM CORE, VANDAL PROOF TENSION HINGES, PUSH-PULL PLATE, DEADBOLT LOCK, ALUMINUM THRESHOLD, ALUMINUM DRIP CAP, DOOR SWEEP
D	18" x 18"	VENT - FUSIBLE LINK WALL VENT
E	--	GRATING - STEEL GRATING, 1 INCH THICK (BLACK)
F	--	INTERIOR - WALLS & CEILING TO PAINTED WITH A TWO-COMPONENT, CATALYZED, WATER BORNE PLYAMIDE EPOXY, WALLS (WHITE) & FLOOR (GRAY)

DRAWING APPROVAL: _____

DATE: _____

PRECAST STORAGE BUILDING

HMS060100
6'-0" x 10'-0" x 8'-10"



CARR CONCRETE CORPORATION
P.O. BOX 265
WAVERLY, WV 26184-0265

PHONE: (800)837-8918
FAX: (304)464-4013

REV	DATE	DESCRIPTION
0	0000	ASSEMBLING
SUBMITTAL: APPROVAL DRAWING		
JOB #:		
CHECKED BY:		
DATE: 4/13/11		
DRAWN BY: BAG		
SCALE: AS INDICATED		
SHEET NO: 1 of 1		