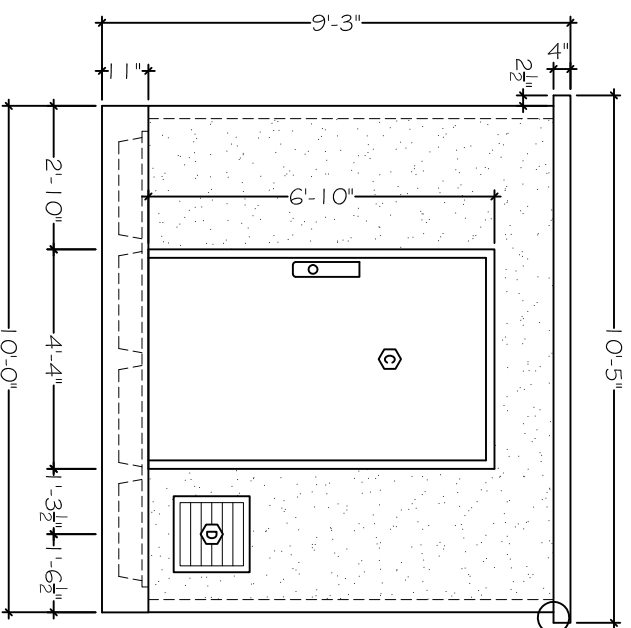
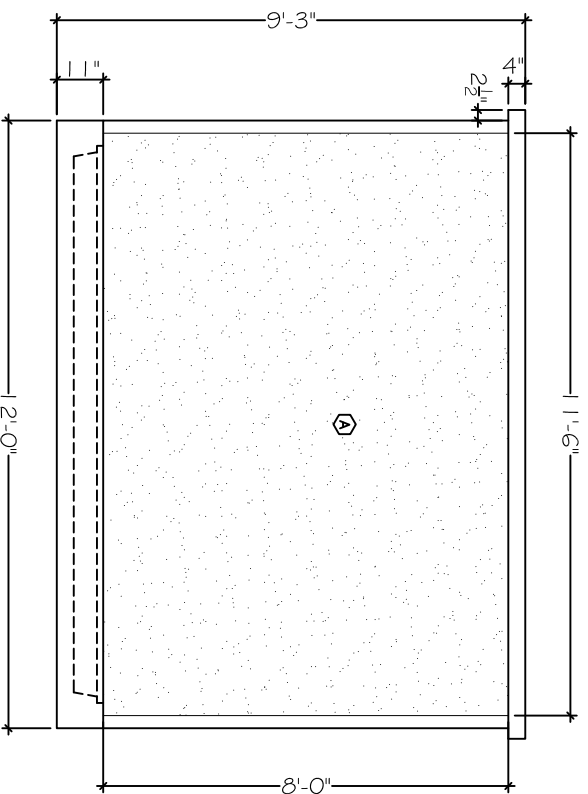


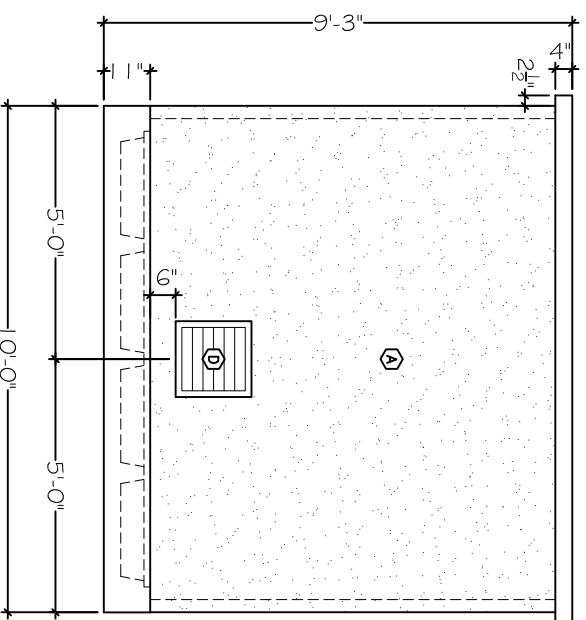
LEFT ELEVATION



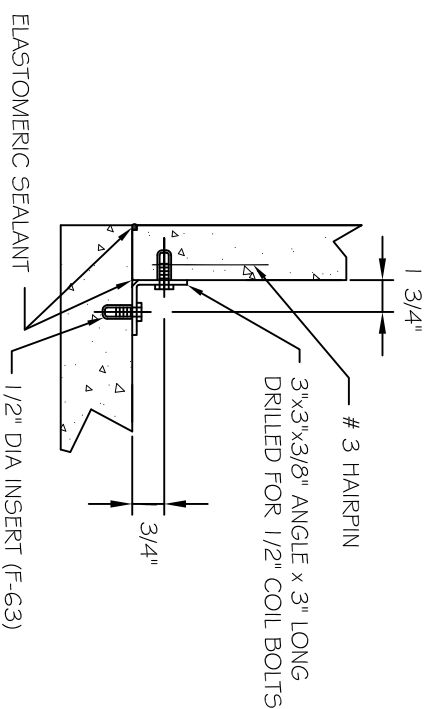
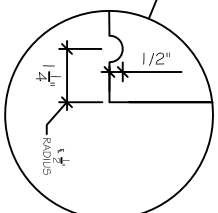
FRONT ELEVATION



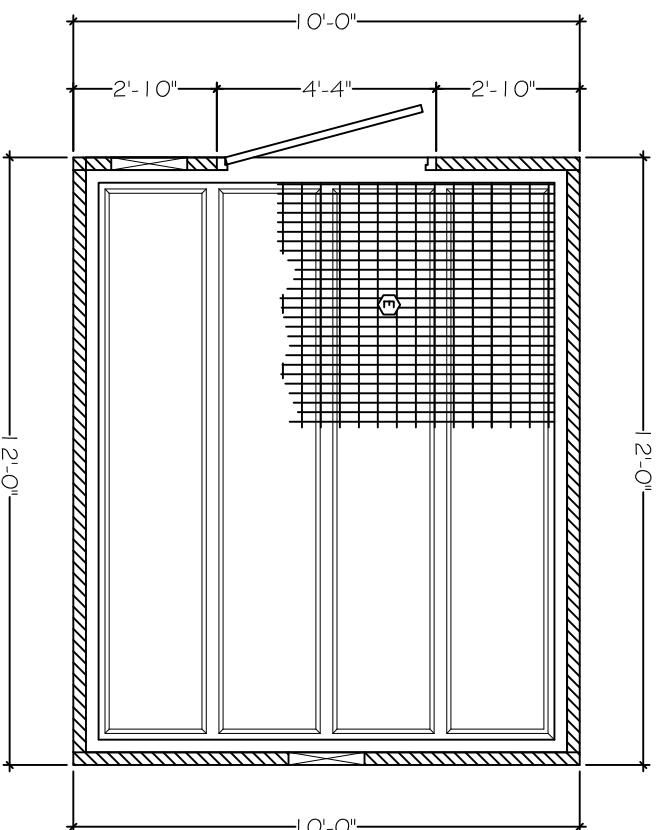
RIGHT ELEVATION



BACK ELEVATION



TYPICAL PANEL CONNECTION



FLOOR PLAN

DOOR & FIXTURE SCHEDULE

TYPE	SIZE	DESCRIPTION
A	--	EXTERIOR FINISH- LIGHT INDIANA LIMESTONE EXPOSED AGGREGATE FINISH
B	--	ROOF - SMOOTH TROWELED FINISH
C	4'-0" X 6'-8"	DOOR - 16GA GRADE II HEAVY DUTY GALVANIZED DOOR WITH POLYURETHANE FOAM CORE, VANDAL PROOF TENSION HINGES, PUSH-PULL PLATE, DEADBOLT LOCK, ALUMINUM THRESHOLD, ALUMINUM DRIP CAP, DOOR SWEEP
D	18" X 18"	VENT - FUSIBLE LINK WALL VENT
E	--	GRATING - STEEL GRATING, 1 INCH THICK (BLACK)
F	--	INTERIOR - WALLS & CEILING TO PAINTED WITH A TWO-COMPONENT, CATALYZED, WATER BORNE PLYAMIDE EPOXY, WALLS (WHITE) & FLOOR (GRAY)

DRAWING APPROVAL: _____

DATE: _____

PROJECT NAME
CITY, STATE
HMS100120
10'-0" x 12'-0" x 9'-3"



CARR CONCRETE CORPORATION
P.O. BOX 265
WAVERLY, WV 26184-0265
PHONE: (800)837-8918
FAX: (304)464-4013

REV	DATE	DESCRIPTION
0	2008	ABCDEFHIJKLMN
SUBMITTAL: APPROVAL DRAWING		
JOB #	CHECKED BY:	
DATE:	1/20/11	
DRAWN BY:	BAG	
SCALE:	AS INDICATED	
SHEET NO:	1 of 1	