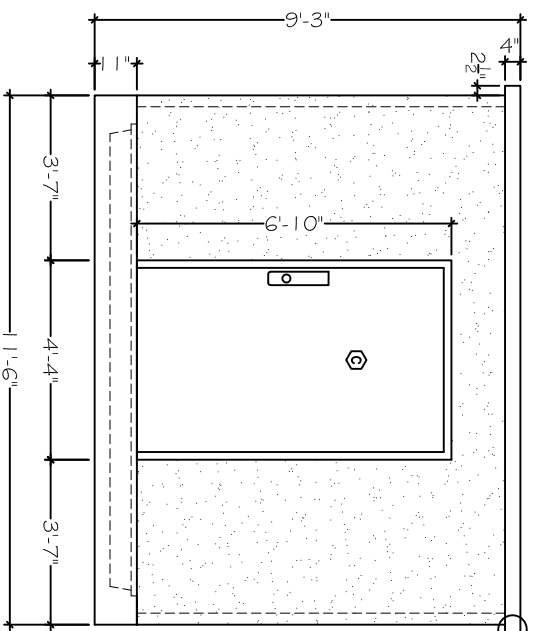
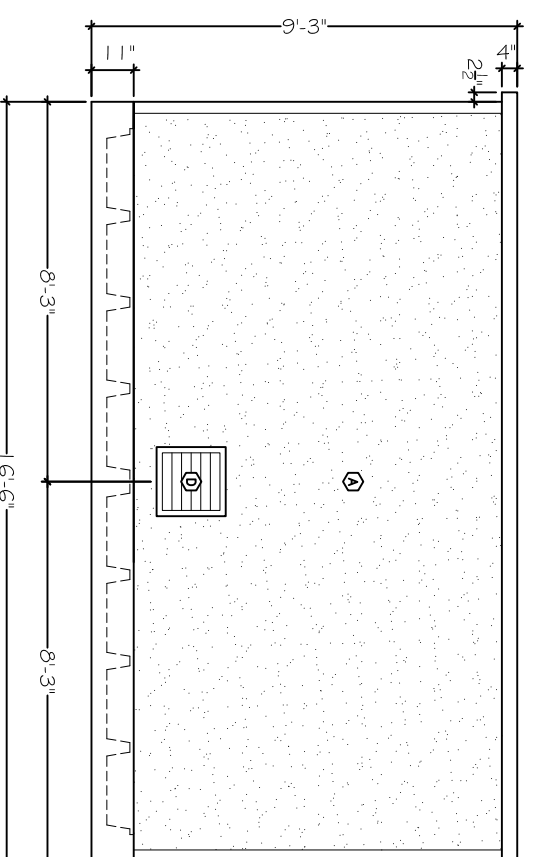


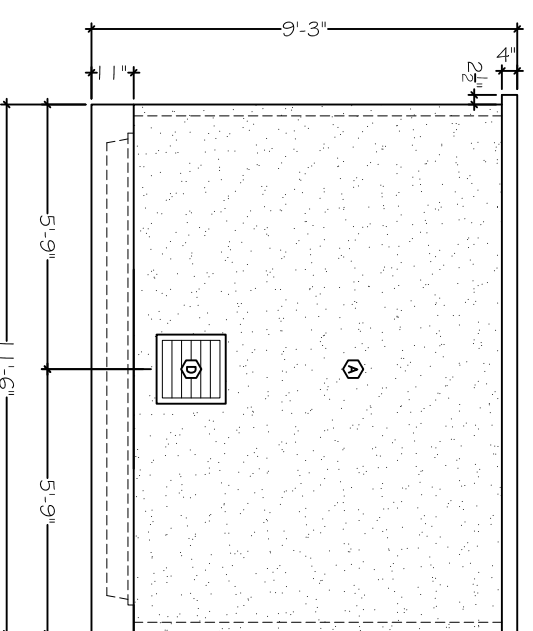
LEFT ELEVATION



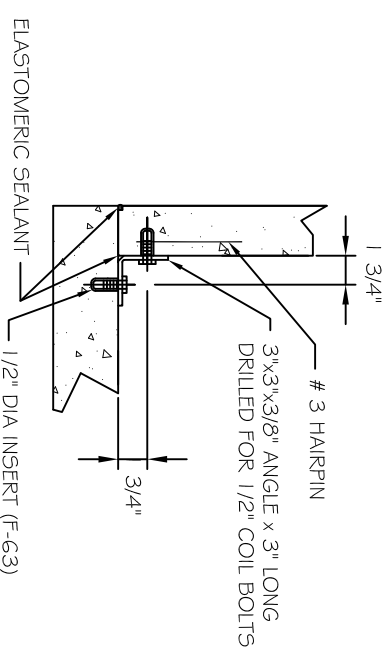
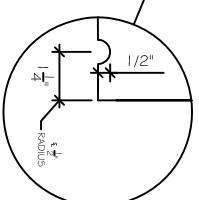
FRONT ELEVATION



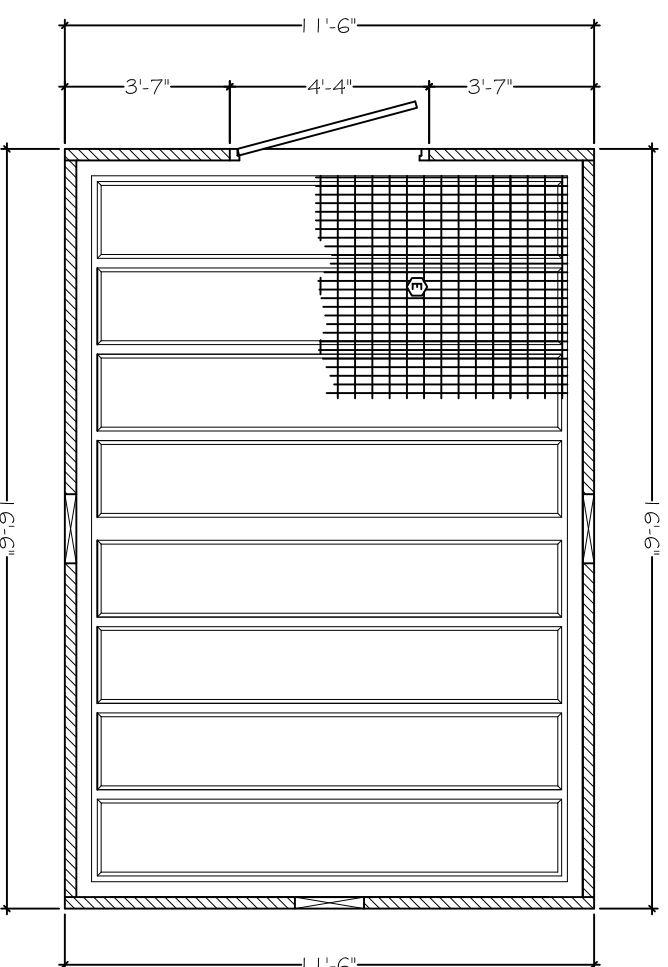
RIGHT ELEVATION



BACK ELEVATION



TYPICAL PANEL CONNECTION



FLOOR PLAN

DOOR & FIXTURE SCHEDULE		DESCRIPTION
TYPE	SIZE	DESCRIPTION
A	--	EXTERIOR FINISH- LIGHT INDIANA LIMESTONE EXPOSED AGGREGATE FINISH
B	--	ROOF - SMOOTH TROWELED FINISH
C	4'-0" X 6'-8"	DOOR - 1-GGA GRADE II HEAVY DUTY GALVANIZED DOOR WITH POLYURETHANE FOAM CORE, VANDAL PROOF TENSION HINGES, PUSH-PULL PLATE, DEADBOLT LOCK, ALUMINUM THRESHOLD, ALUMINUM DRIP CAP, DOOR SWEEP
D	18" X 18"	VENT - FUSIBLE LINK WALL VENT
E	--	GRATING - STEEL GRATING, 1/4" THICK (BLACK)
F	--	INTERIOR - WALLS & CEILING TO PAINTED WITH A TWO-COMPONENT, CATALYZED, WATER BORNE EPOXY, WALLS (WHITE)

DRAWING APPROVAL: \_\_\_\_\_ DATE: \_\_\_\_\_

PROJECT NAME  
CITY, STATE  
HMS116166  
11'-6" x 16'-6" x 9'-3"



CARR CONCRETE CORPORATION  
P.O. BOX 265  
WAVERLY, WV 26184-0265  
PHONE: (800)837-8918  
FAX: (304)464-4013

JOB #  
CHECKED BY:  
DATE: 1/20/11  
DRAWN BY: BAG  
SCALE: AS INDICATED  
SHEET NO: 1 of 1