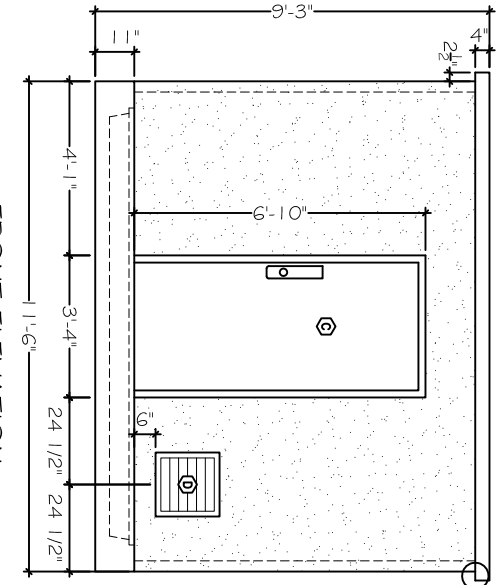
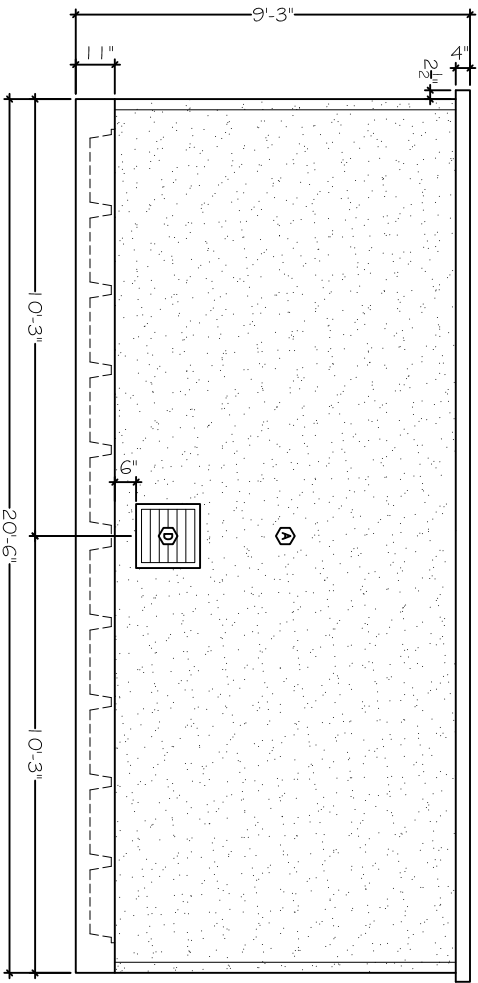


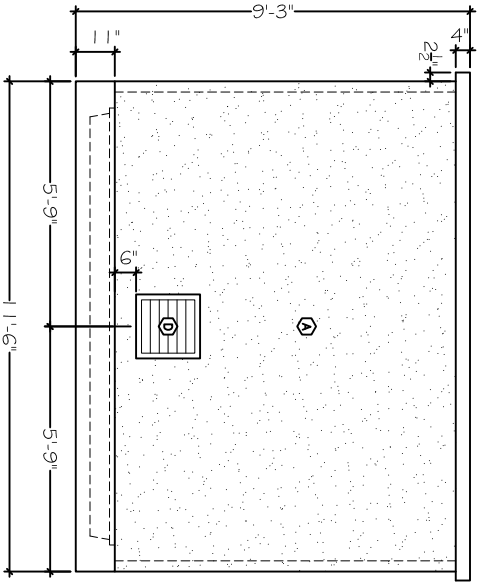
LEFT ELEVATION



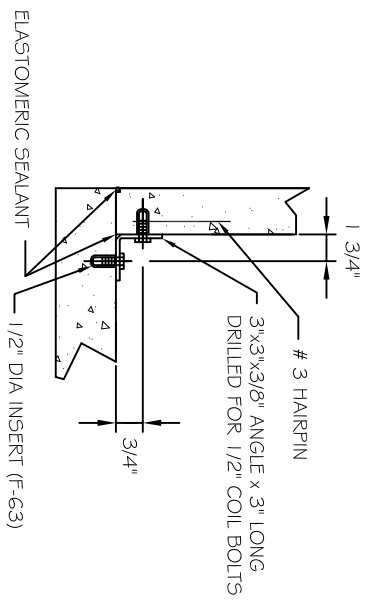
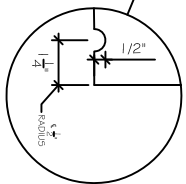
FRONT ELEVATION



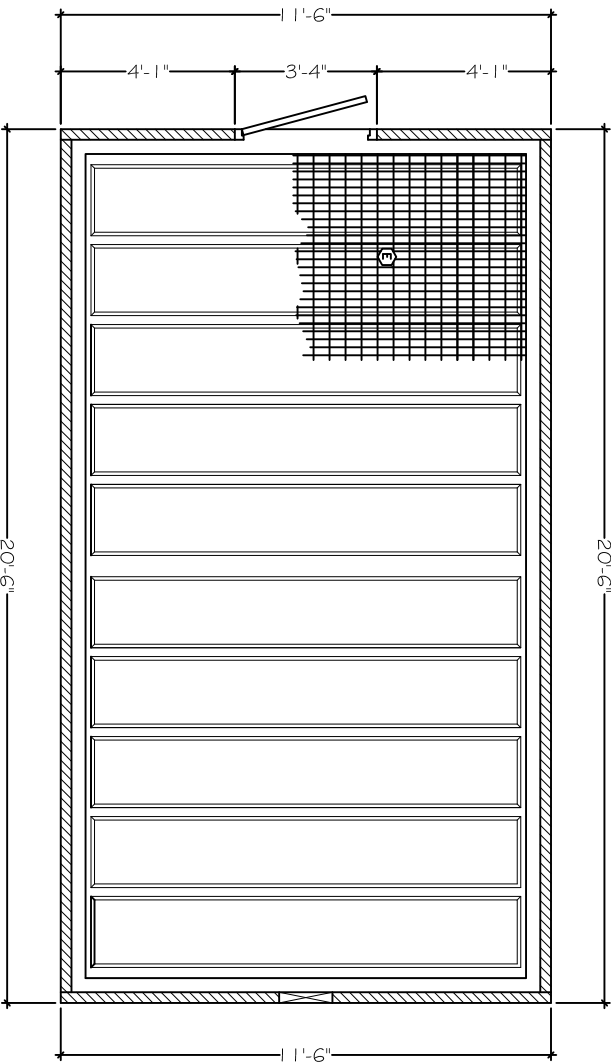
RIGHT ELEVATION



REAR ELEVATION



TYPICAL PANEL CONNECTION



FLOOR PLAN

DOOR & FIXTURE SCHEDULE

TYPE	SIZE	DESCRIPTION
A	--	EXTERIOR FINISH- LIGHT INDIANA LIMESTONE EXPOSED AGGREGATE FINISH
B	--	ROOF - SMOOTH TROWELED FINISH
C	4'-0" X 6'-8"	DOOR - 1 1/2" GRADE II HEAVY DUTY GALVANIZED DOOR WITH POLYURETHANE FOAM CORE, VANDAL PROOF TENSION HINGES, PUSH-PULL FLATE, DEADBOLT LOCK, ALUMINUM THRESHOLD, ALUMINUM DRIP CAP, DOOR SWEEP
D	18" X 18"	VENT - FUSIBLE LINK WALL VENT
E	--	GRATING - STEEL GRATING, 1 INCH THICK (BLACK)
F	--	INTERIOR - WALLS & CEILING TO PAINTED WITH A TWO-COMPONENT, CATALYZED, WATER BORNE EPOXY FLOOR, WALLS (WHITE) & FLOOR (GRAY)

DRAWING APPROVAL: _____

DATE: _____

PRECAST STORAGE BUILDING

HMS116206
11'-6" x 20'-6" x 9'-3"



CARR CONCRETE CORPORATION
P.O. BOX 265
WAVERLY, WV 26184-0265
PHONE: (800)837-8918
FAX: (304)464-4013

REV	DATE	DESCRIPTION
0	11/20/11	AS INDICATED

SUBMITTAL:
APPROVAL
DRAWING

JOB #:
CHECKED BY:
DATE: 11/20/11
DRAWN BY: BAG
SCALE: AS INDICATED
SHEET NO: 1 of 1