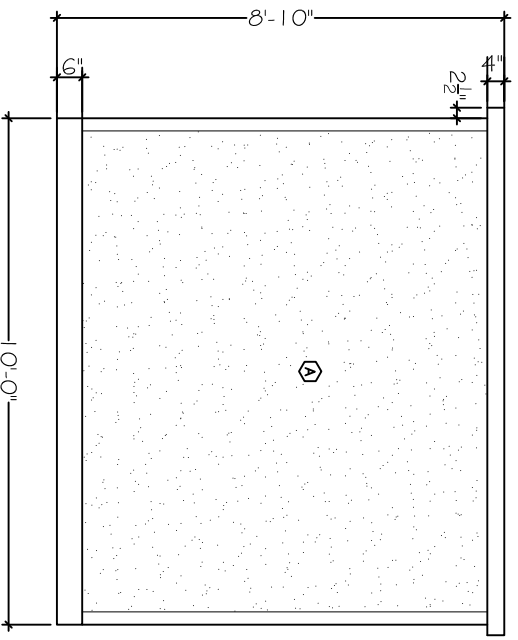
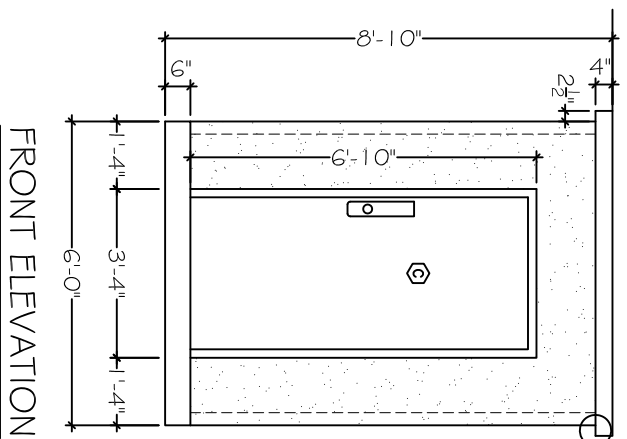


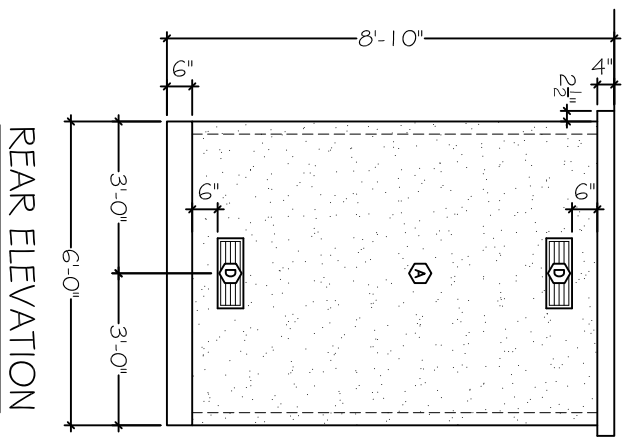
LEFT ELEVATION



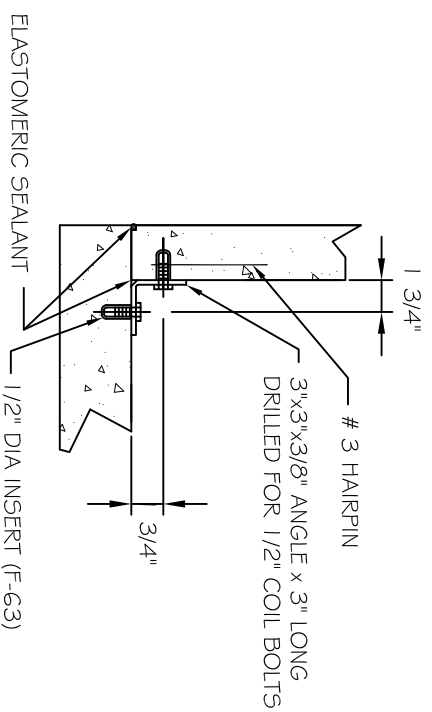
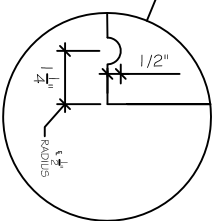
RIGHT ELEVATION



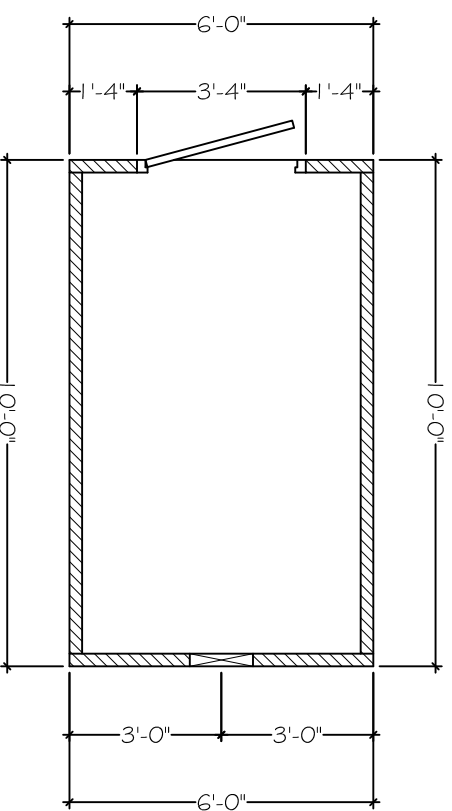
FRONT ELEVATION



REAR ELEVATION



TYPICAL PANEL CONNECTION



FLOOR PLAN

DOOR & FIXTURE SCHEDULE

TYPE	SIZE	DESCRIPTION
A	--	EXTERIOR FINISH - LIGHT INDIANA LIMESTONE EXPOSED AGGREGATE FINISH
B	--	ROOF - SMOOTH TROWELED FINISH
C	3'-0" x 6'-8"	DOOR - 1 GGA GRADE II HEAVY DUTY GALVANIZED DOOR WITH POLYURETHANE FOAM CORE, VANDAL PROOF TENSION HINGES, PUSH-PULL PLATE, DEADBOLT LOCK, ALUMINUM THRESHOLD, ALUMINUM DRIP CAP, DOOR SWEEP
D	5" x 15"	VENTS - ALUMINUM PASSIVE VENTS
E	--	INTERIOR - WALLS & CEILING TO PAINTED WITH A TWO-COMPONENT, CATALYZED, WATER BORNE PLYAMIDE EPOXY, WALLS (WHITE) & FLOOR (GRAY)

DRAWING APPROVAL: \_\_\_\_\_ DATE: \_\_\_\_\_

PRECAST PUMP BUILDING

SPB060100  
6'-0" x 10'-0" x 8'-10"



CARR CONCRETE CORPORATION  
P.O. BOX 265  
WAVERLY, WV 26184-0265

PHONE: (800)837-8918  
FAX: (304)464-4013

REV	DATE	DESCRIPTION
0	0000	ASSEMBLING

SUBMITTAL:  
APPROVAL  
DRAWING

JOB #:  
CHECKED BY:  
DATE: 4/13/11  
DRAWN BY: KJK  
SCALE: AS INDICATED  
SHEET NO: 1 of 1