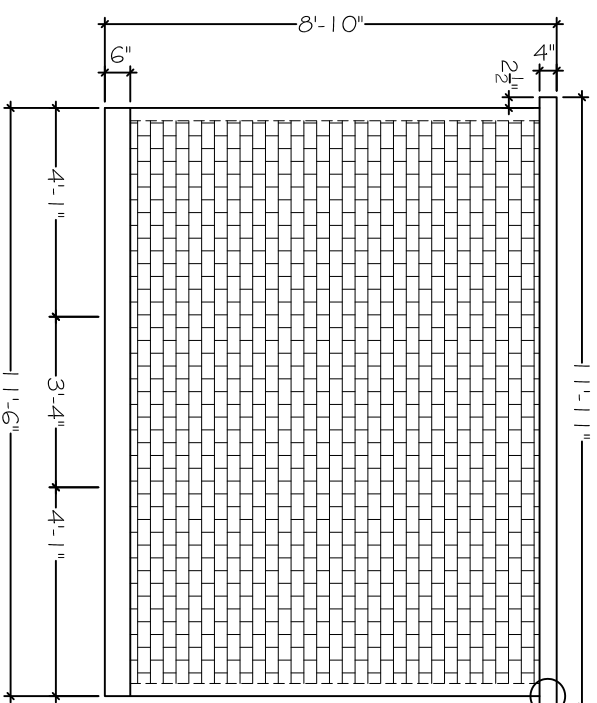
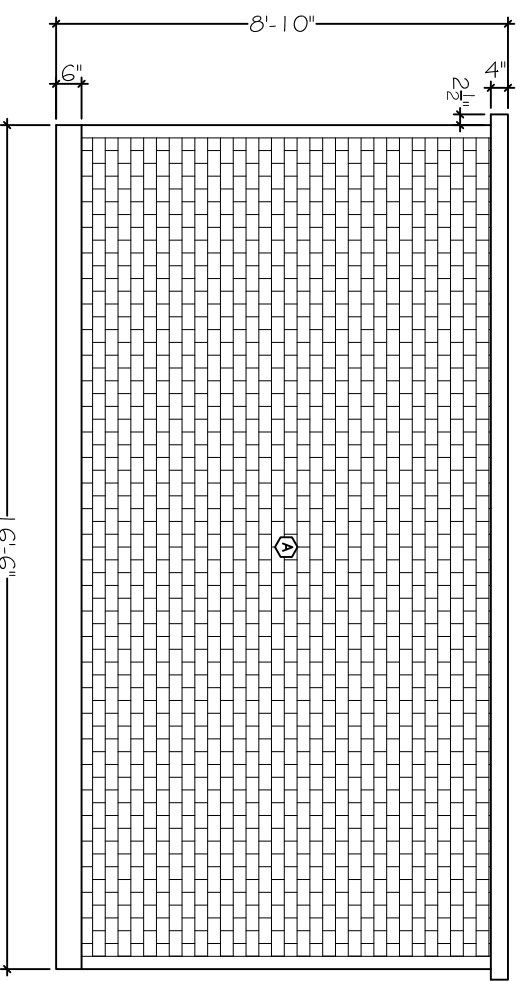


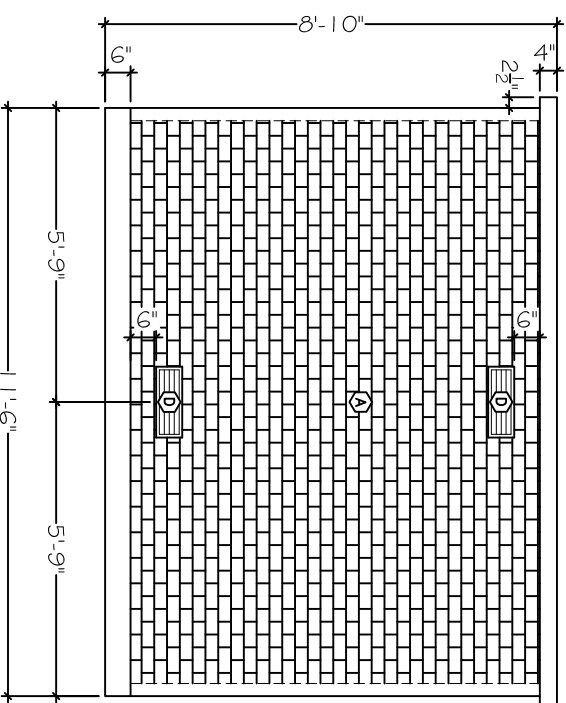
LEFT ELEVATION



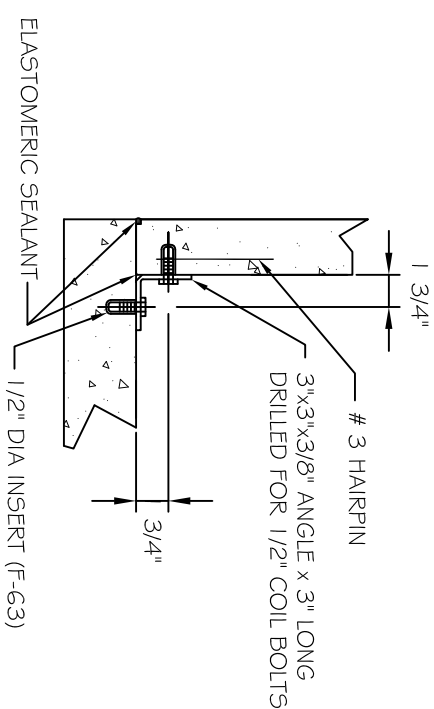
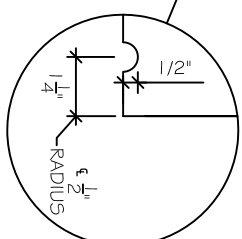
FRONT ELEVATION



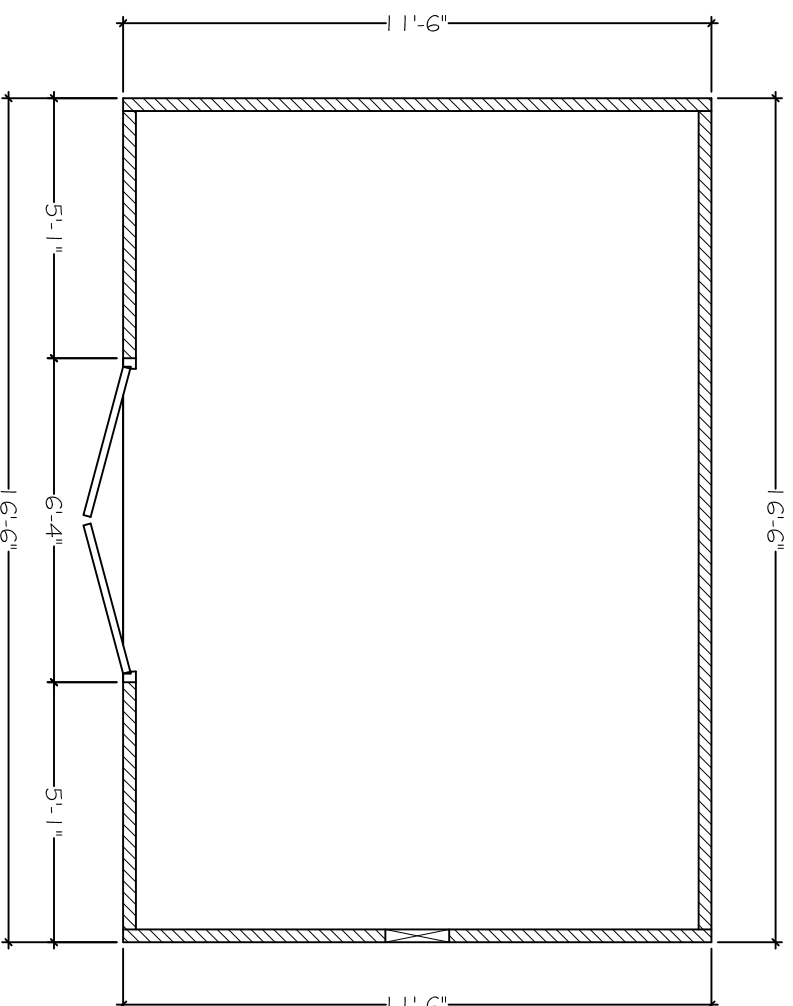
RIGHT ELEVATION



REAR ELEVATION



TYPICAL PANEL CONNECTION



FLOOR PLAN

| DOOR & FIXTURE SCHEDULE | | |
|-------------------------|---------------|---|
| TYPE | SIZE | DESCRIPTION |
| A | -- | EXTERIOR FINISH- SIMULATED BRICK & GROUT - CONCRETE STAINED |
| B | -- | ROOF - SMOOTH TROWELED FINISH |
| C | 6'-0" X 6'-8" | DOOR - 16GA GRADE II HEAVY DUTY GALVANIZED DOUBLE DOOR WITH POLYURETHANE FOAM CORE, VANDAL PROOF TENSION HINGES, PUSH-PULL PLATE, DEADBOLT LOCK, ALUMINUM THRESHOLD, DOOR HOLDER, ALUMINUM DRIP CAP, DOOR SWEEP |
| D | 5" X 15" | VENTS - ALUMINUM PASSIVE VENTS |
| E | -- | INTERIOR - WALLS & CEILING TO PAINTED WITH A TWO-COMPONENT, CATALYZED, WATER BORNE PLYAMIDE EPOXY, WALLS (WHITE) & FLOOR (GRAY) |

DRAWING APPROVAL: _____

DATE: _____

PRECAST STORAGE BUILDING

SSB116166
11'-6" x 16'-6" x 8'-10"



CARR CONCRETE CORPORATION
P.O. BOX 265
WAVERLY, WV 26184-0265

PHONE: (800)837-8918
FAX: (304)464-4013

| REV | DATE | DESCRIPTION |
|-----|--------|--------------|
| 0 | Issued | ABCDEFHIJKLM |

SUBMITTAL:
APPROVAL
DRAWING

JOB #:
CHECKED BY:
DATE: 11/20/11
DRAWN BY: KJK
SCALE: AS INDICATED
SHEET NO: 1 of 1