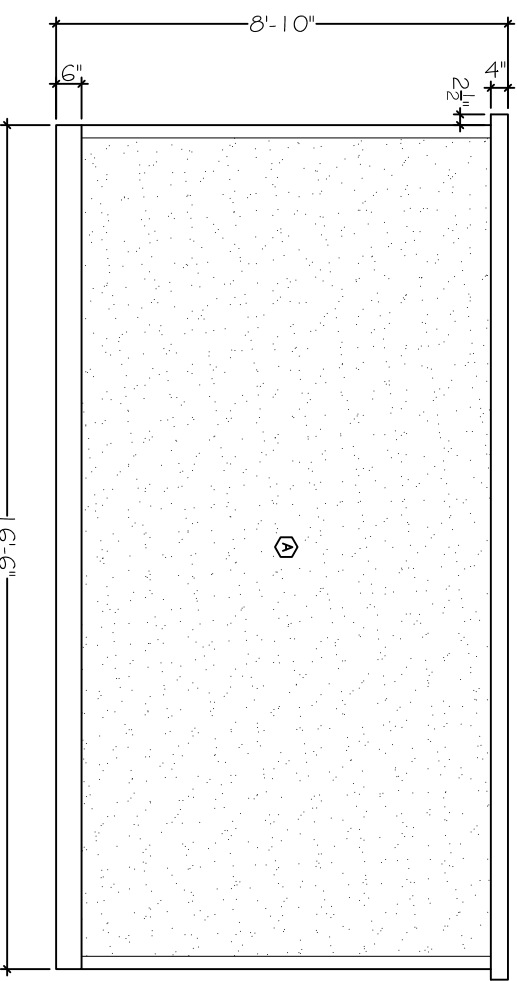
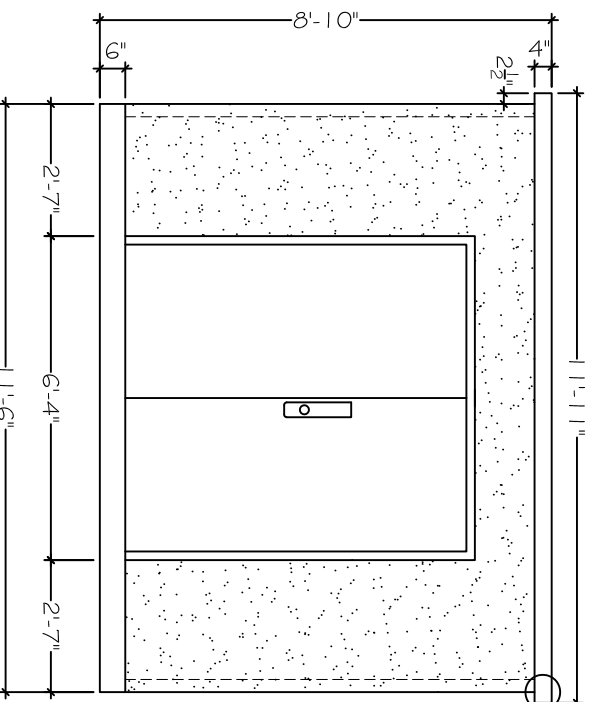


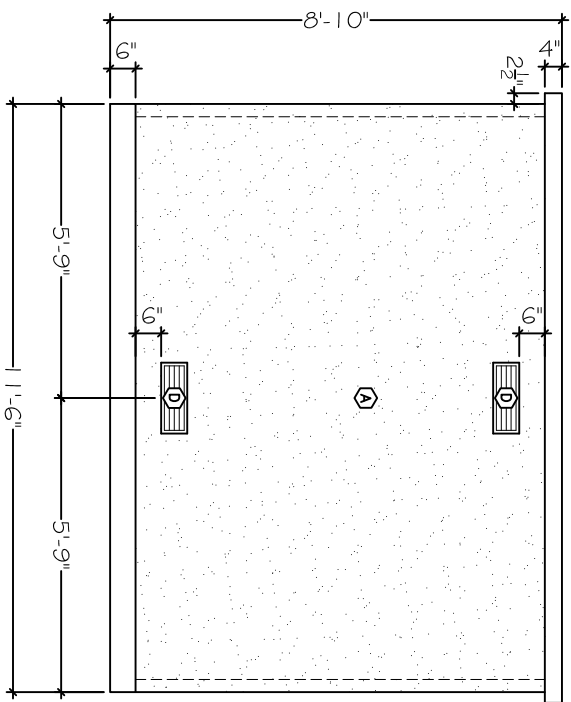
LEFT ELEVATION



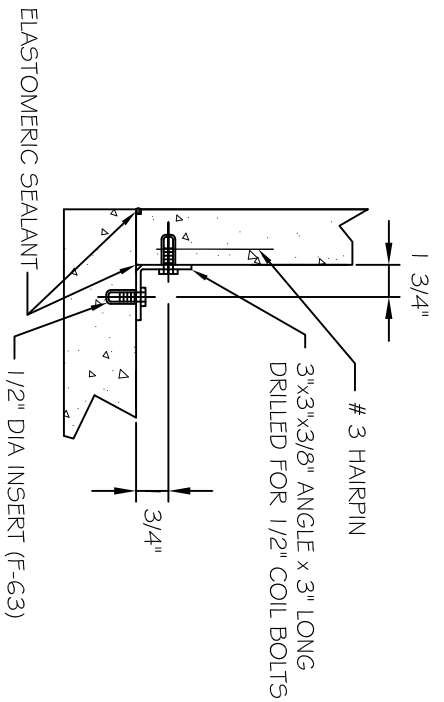
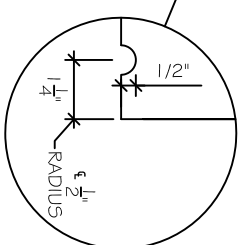
RIGHT ELEVATION



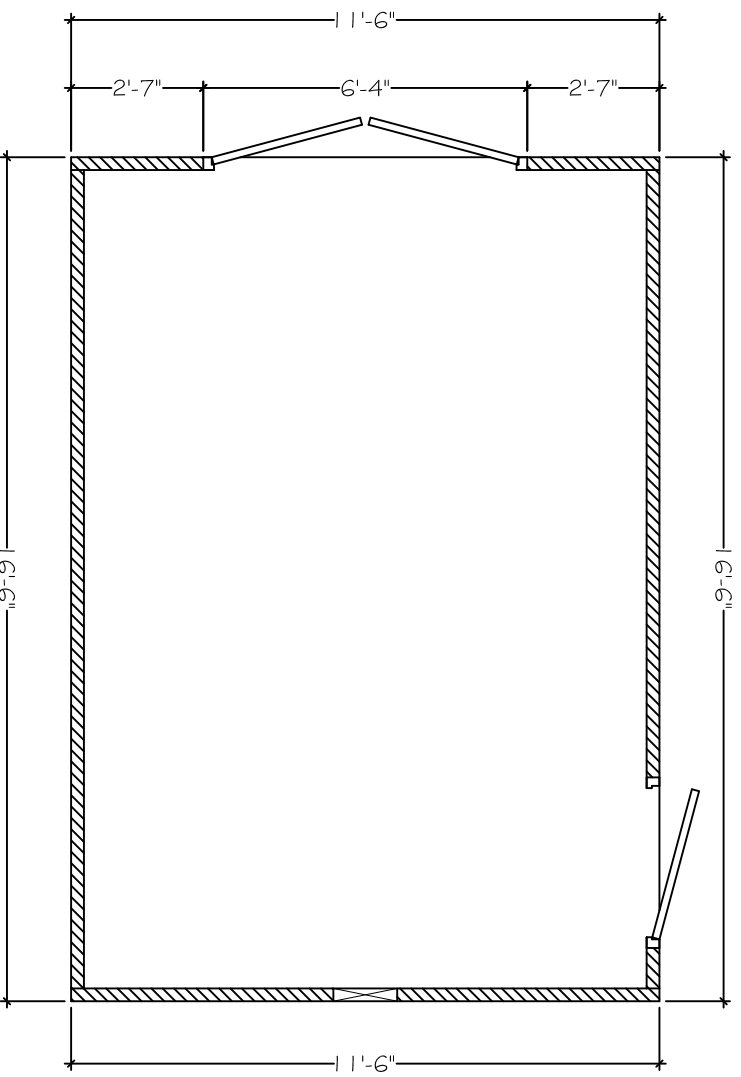
FRONT ELEVATION



REAR ELEVATION



TYPICAL PANEL CONNECTION



FLOOR PLAN

DOOR & FIXTURE SCHEDULE

TYPE	SIZE	DESCRIPTION
A	--	EXTERIOR FINISH- LIGHT INDIANA LIMESTONE EXPOSED AGGREGATE FINISH
B	--	ROOF - SMOOTH TROWELED FINISH
C	3'-0" X 6'-8"	DOOR - 16GA GRADE II HEAVY DUTY GALVANIZED DOOR WITH POLYURETHANE FOAM CORE, VANDAL PROOF TENSION HINGES, PUSH-PULL PLATE, DEADBOLT LOCK, ALUMINUM THRESHOLD, ALUMINUM DRIP CAP, DOOR SWEEP
D	5" X 15"	VENTS - ALUMINUM PASSIVE VENTS
E	--	INTERIOR - WALLS & CEILING TO PAINTED WITH A TWO-COMPONENT, CATALYZED, WATER BORNE PLYAMIDE EPOXY, WALLS (WHITE) & FLOOR (GRAY)

DRAWING APPROVAL: \_\_\_\_\_

DATE: \_\_\_\_\_

PRECAST STORAGE BUILDING

SSB116166  
11'-6" x 16'-6" x 8'-10"



CARR CONCRETE CORPORATION  
P.O. BOX 265  
WAVERLY, WV 26184-0265

PHONE: (800)837-8918  
FAX: (304)464-4013

REV	DATE	DESCRIPTION
0	11/20/11	AS INDICATED

SUBMITTAL: APPROVAL DRAWING  
JOB #: \_\_\_\_\_  
CHECKED BY: \_\_\_\_\_  
DATE: 11/20/11  
DRAWN BY: KJK  
SCALE: AS INDICATED  
SHEET NO: 1 of 1