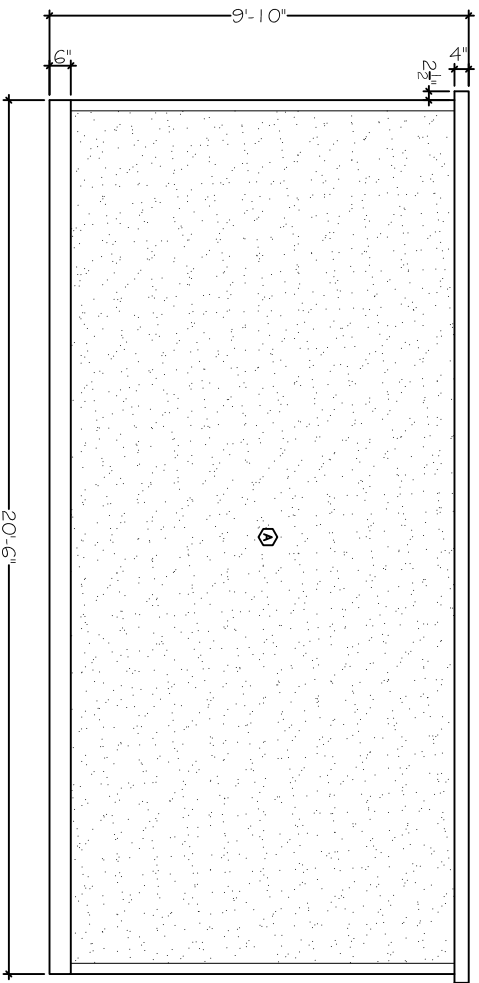
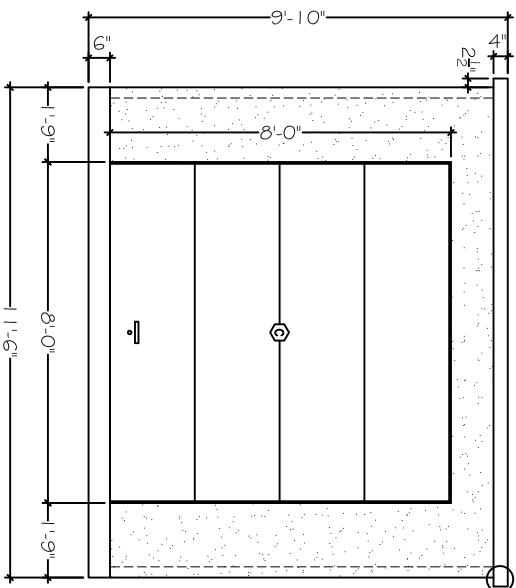


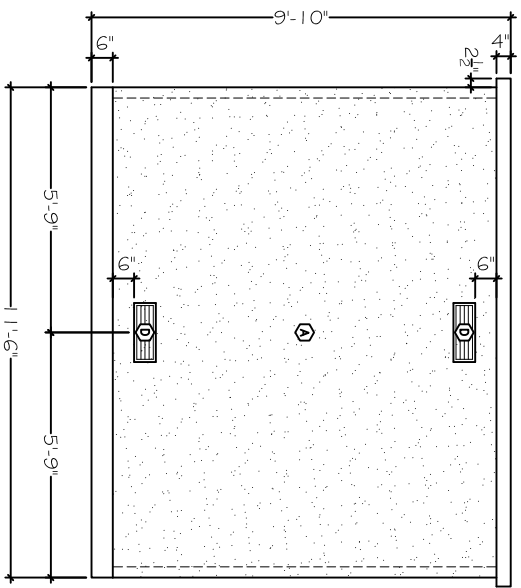
LEFT ELEVATION



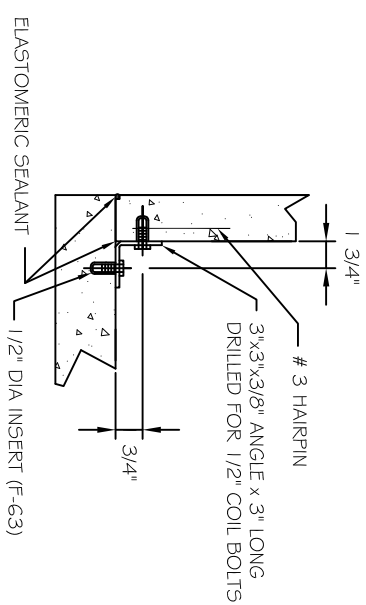
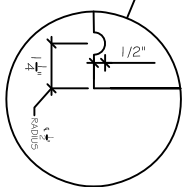
RIGHT ELEVATION



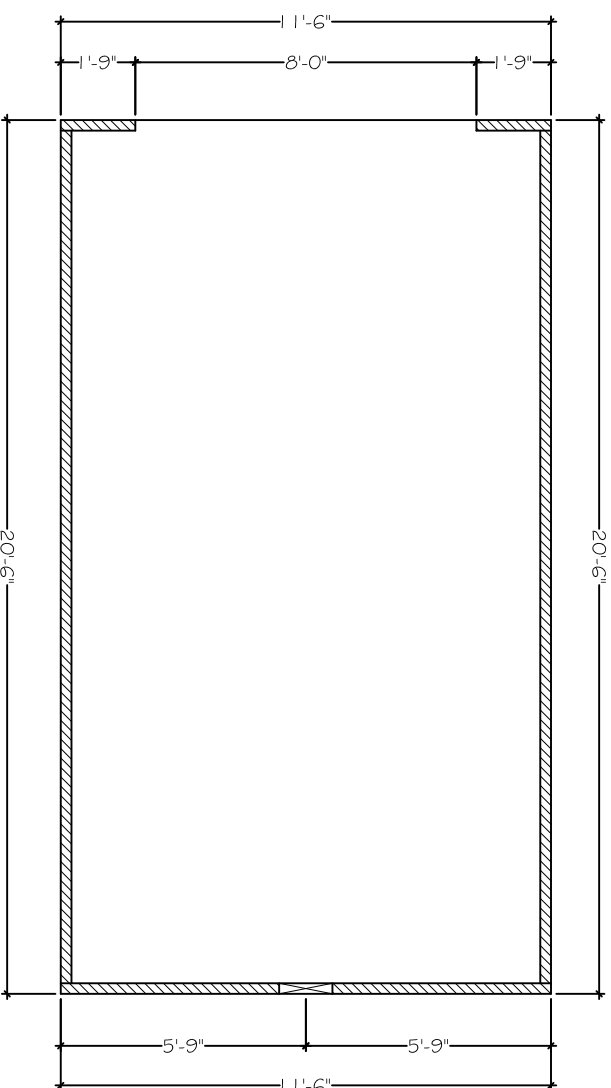
FRONT ELEVATION



REAR ELEVATION



TYPICAL PANEL CONNECTION



FLOOR PLAN

DOOR & FIXTURE SCHEDULE		
TYPE	SIZE	DESCRIPTION
A	--	EXTERIOR FINISH - LIGHT INDIANA LIMESTONE EXPOSED AGGREGATE FINISH
B	--	ROOF - SMOOTH TROWELED FINISH
C	8'-0" X 8'-0"	DOOR - 1.6GA GRADE II HEAVY DUTY OVERHEAD ROLL-UP SECTIONAL GARAGE DOOR
D	5' X 15"	VENTS - ALUMINUM PASSIVE VENTS
E	--	INTERIOR - WALLS & CEILING TO PAINTED WITH A TWO-COMPONENT, CATALYZED, WATER BORNE PLYAMIDE EPOXY. WALLS (WHITE) & FLOOR (GRAY)

DRAWING APPROVAL: _____ DATE: _____

PRECAST STORAGE BUILDING

SSB116206
11'-6" x 20'-6" x 9'-10"



CARR CONCRETE CORPORATION
P.O. BOX 265
WAVERLY, WV 26184-0265

PHONE: (800)837-8918
FAX: (304)464-4013

REV	DATE	DESCRIPTION
0		AS INDICATED

SUBMITTAL:
APPROVAL
DRAWING

JOB #:
DATE: 11/20/11
CHECKED BY:
DRAWN BY: BAG
SCALE: AS INDICATED
SHEET NO: 1 of 1