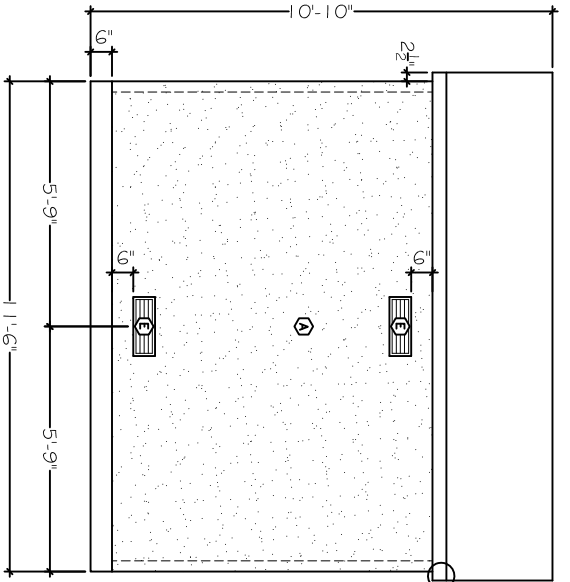
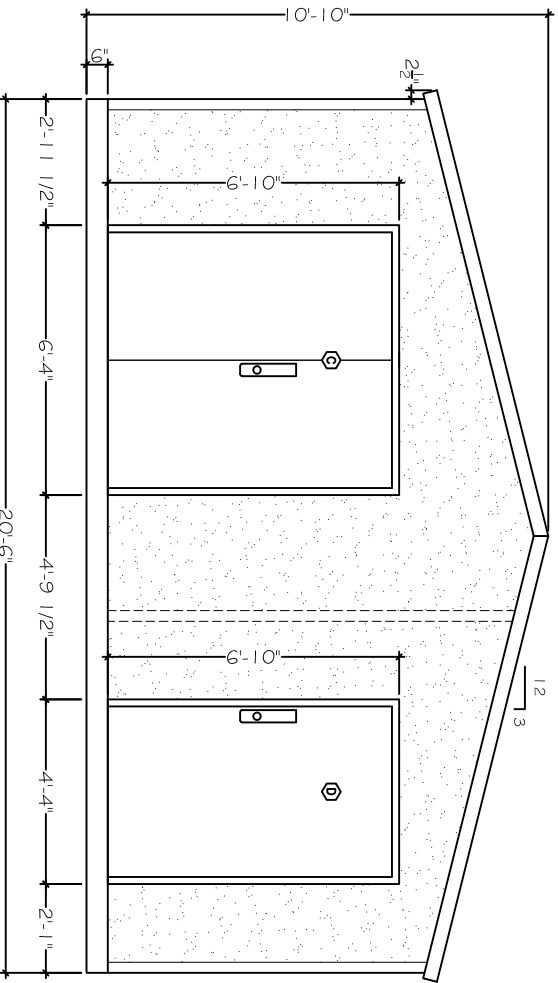


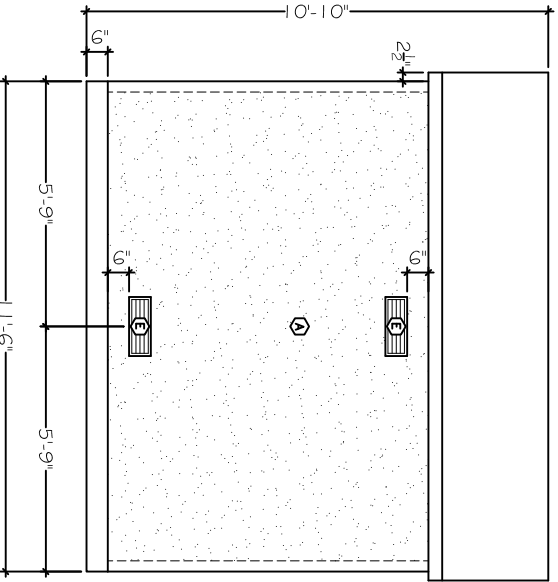
REAR ELEVATION



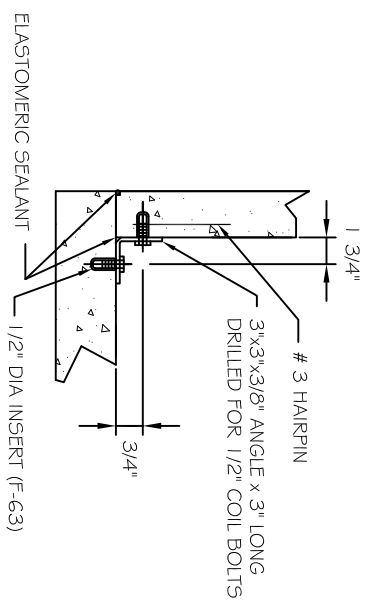
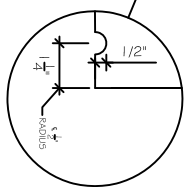
LEFT ELEVATION



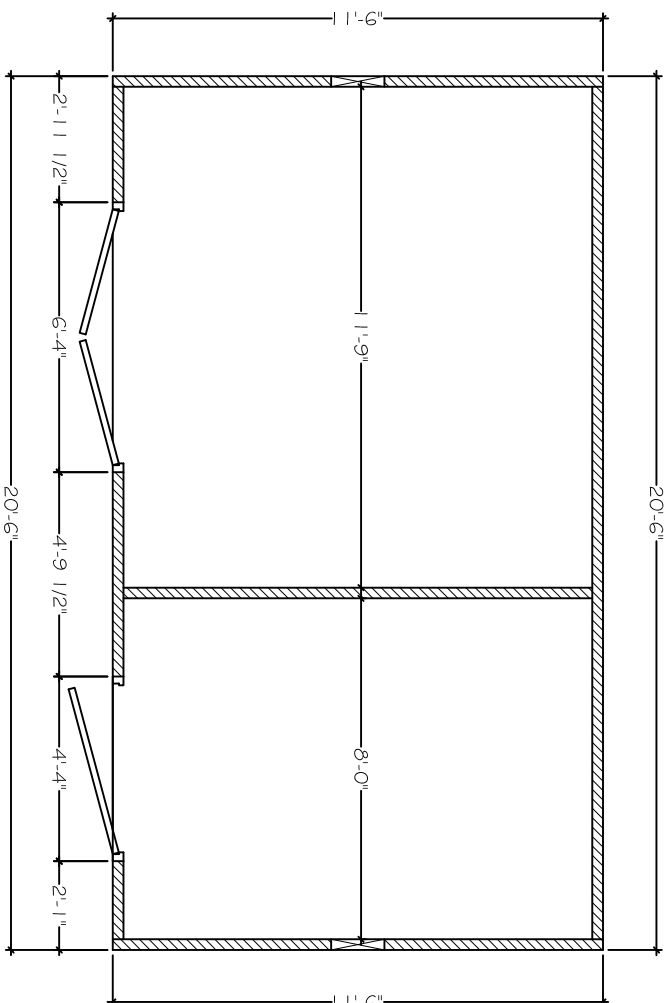
FRONT ELEVATION



RIGHT ELEVATION



TYPICAL PANEL CONNECTION



FLOOR PLAN

DOOR & FIXTURE SCHEDULE		
TYPE	SIZE	DESCRIPTION
A	--	EXTERIOR FINISH- LIGHT INDIANA LIMESTONE EXPOSED AGGREGATE FINISH
B	--	ROOF - SMOOTH TROWELED FINISH
C	6'-0" X 6'-6"	DOOR - 1.6GA GRADE II HEAVY DUTY GALVANIZED DOOR WITH POLYURETHANE FOAM CORE, VANDAL PROOF TENSION HINGES, PUSH-PULL PLATE, DEADBOLT LOCK, ALUMINUM THRESHOLD, ALUMINUM DRIP CAP, DOOR SWEEP
D	4'-0" X 6'-6"	DOOR - 1.6GA GRADE II HEAVY DUTY GALVANIZED DOOR WITH POLYURETHANE FOAM CORE, VANDAL PROOF TENSION HINGES, PUSH-PULL PLATE, DEADBOLT LOCK, ALUMINUM THRESHOLD, ALUMINUM DRIP CAP, DOOR SWEEP
E	5" X 15"	VENTS - ALUMINUM PASSIVE VENTS
F	--	INTERIOR - WALLS & CEILING TO PAINTED WITH A TWO-COMPONENT, CATALYZED, WATER BORNE PLYAMIDE EPOXY. WALLS (WHITE) & FLOOR (GRAY)

DRAWING APPROVAL: _____

DATE: _____

PRECAST STORAGE BUILDING

SSB116206
11'-6" x 20'-6" x 10'-10"



CARR CONCRETE CORPORATION
P.O. BOX 265
WAVERLY, WV 26184-0265

PHONE: (800)837-8918
FAX: (304)464-4013

REV	DATE	DESCRIPTION
0	Issued	ABCDEFHIJKLM
SUBMITTAL:		
APPROVAL		
DRAWING		
CHECKED BY:	5/23/13	
DATE:	CJM	
DRAWN BY:	AS INDICATED	
SCALE:	AS INDICATED	
SHEET NO.:	1 of 1	