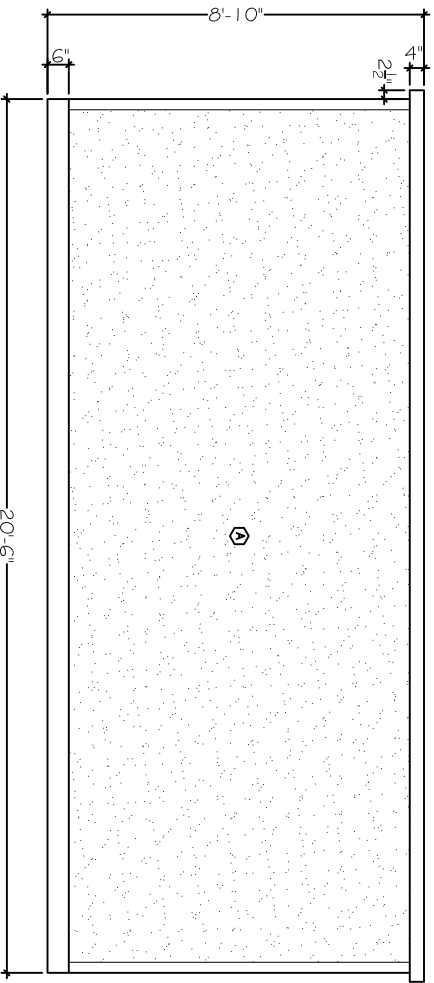
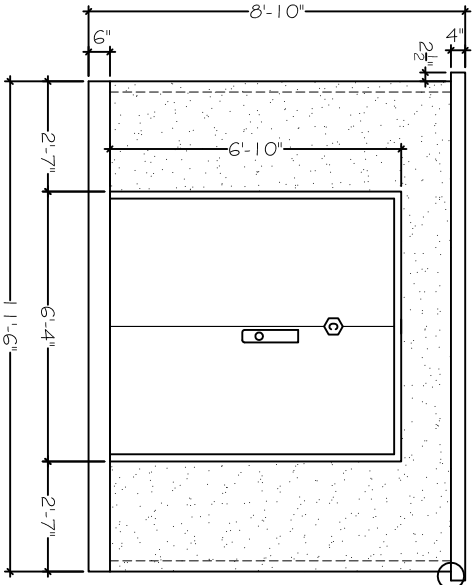


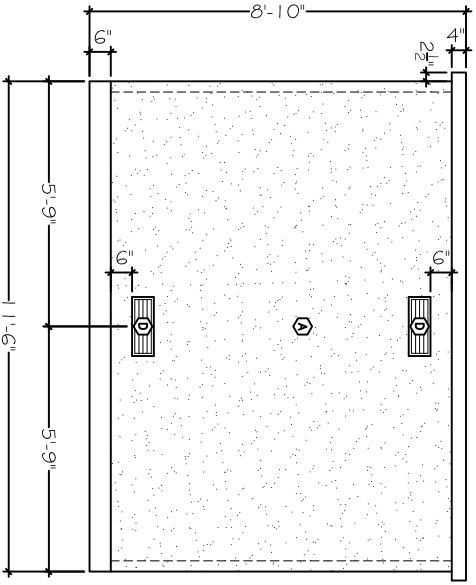
LEFT ELEVATION



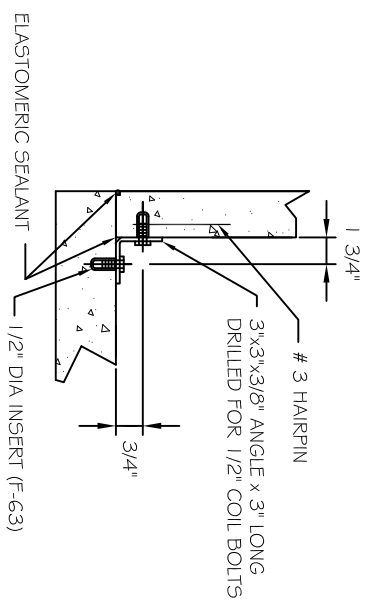
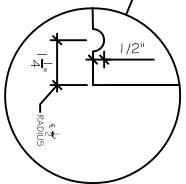
RIGHT ELEVATION



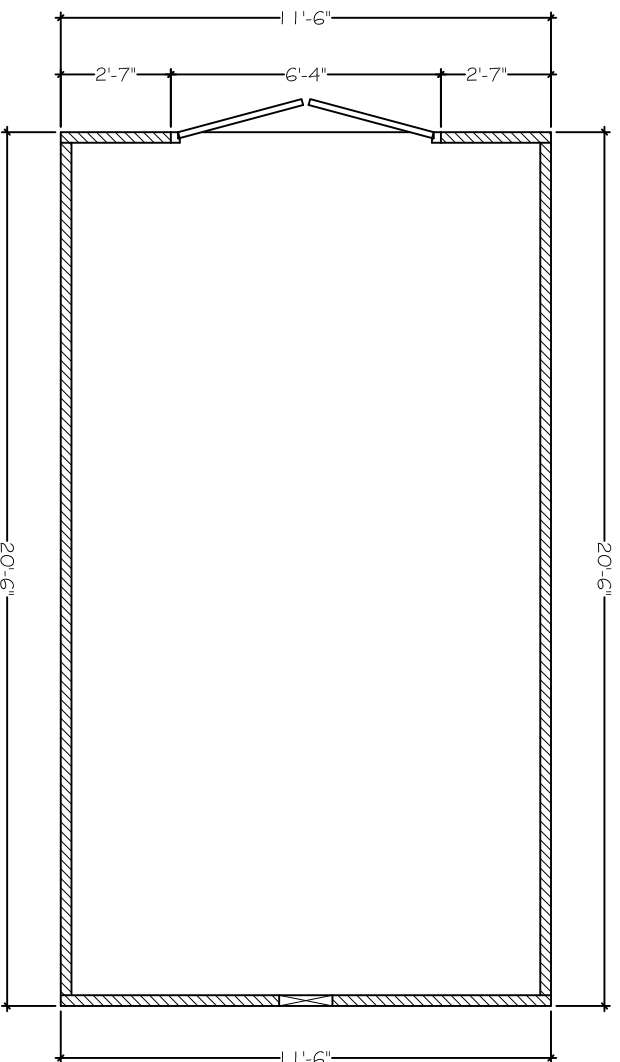
FRONT ELEVATION



REAR ELEVATION



TYPICAL PANEL CONNECTION



FLOOR PLAN

DOOR # FIXTURE SCHEDULE		DESCRIPTION
A	---	EXTERIOR FINISH- LIGHT INDIANA LIMESTONE EXPOSED AGGREGATE FINISH
B	---	ROOF - SMOOTH TROWELED FINISH
C	6'-0" X 6'-6"	DOOR - 1.6GA GRADE II HEAVY DUTY GALVANIZED DOOR WITH POLYURETHANE FOAM CORE, VANDAL PROOF TENSION HINGES, PUSH-PULL PLATE, DEADBOLT LOCK, ALUMINUM THRESHOLD, ALUMINUM DRIP CAP, DOOR SWEEP
D	5" X 15"	VENTS - ALUMINUM PASSIVE VENTS
E	---	INTERIOR - WALLS & CEILING TO PAINTED WITH A TWO-COMPONENT, CATALYZED, WATER BORNE EPOXY FLOOR (GRAY)

DRAWING APPROVAL: _____ DATE: _____

PRECAST STORAGE BUILDING

SSB116206
11'-6" x 20'-6" x 8'-10"



CARR CONCRETE CORPORATION
P.O. BOX 265
WAVERLY, WV 26184-0265

PHONE: (800)837-8918
FAX: (304)464-4013

JOB #:
CHECKED BY:
DATE: 11/20/11
DRAWN BY: BAG
SCALE: AS INDICATED
SHEET NO: 1 of 1

REVISIONS:
O 11/20/11 ABCDEFHJKLMN
SUBMITTAL:
APPROVAL
DRAWING